

Spare parts list
Katalog náhradních dílů

GARUDAN®

GP-1130-serie
GP-2230-serie



ANITA B, s.r.o.

Průmyslová 2453/7

680 01 Boskovice

Czech Republic

tel: +420 516 454 774

+420 516 453 496

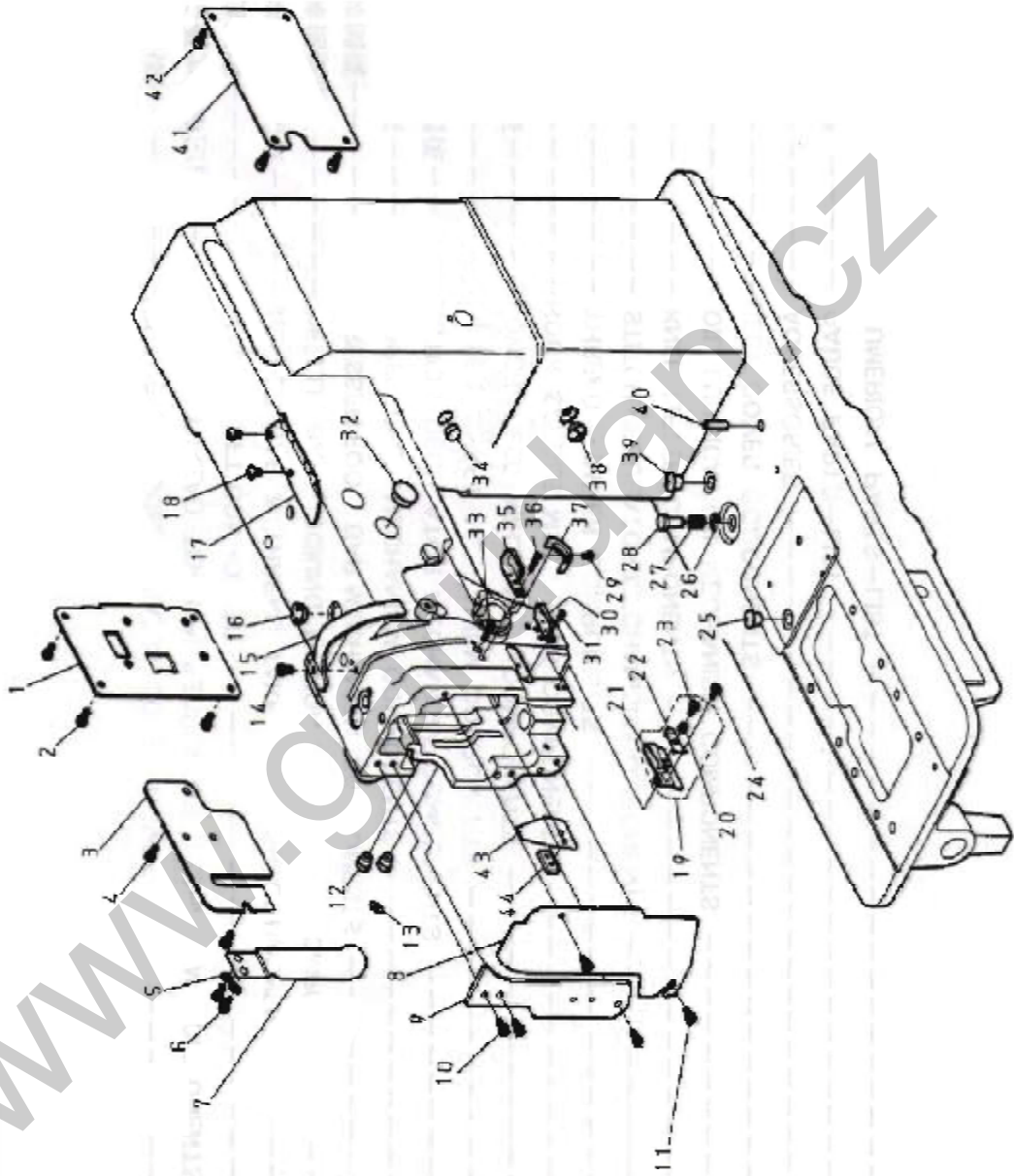
fax: +420 516 452 751

e-mail: info@anita.cz

MODEL : GP - 1130 serie, GP - 2230 serie

CONTENT	PAGE
A. FRAME & MISCELLANEOUS COVER COMPONENTS -----	3-4
B. UPPER THREAD TENSION REGULATOR MECHANISM COMPONENTS-----	5-8
C. MAIN SHAFT COMPONENTS -----	9-10
D. NEEDLE BAR & THREAD TAKE-UP LEVER COMPONENTS -----	11-12
E. NEEDLE BAR ROCKING MOTION MECHANISM COMPONENTS -----	13-14
F. PRESSER FOOT BAR MECHANISM COMPONENTS -----	15-16
G. UPPER FEED MECHANISM COMPONENTS -----	17-18
H. STITCH REGULATOR MECHANISM COMPONENTS -----	19-20
I. LOWER SHAFT MECHANISM COMPONENTS -----	21-22
J. LOWER FEED MECHANISM COMPONENTS -----	23-28
K. HOOK SADDLE MECHANISM COMPONENTS -----	29-34
L. THREAD TRIMMER COMPONENTS -----	35-34
M. STITCH REGULATOR MECHANISM COMPONENTS -----	35-36
N. KNEE LIFTER COMPONENTS -----	37-38
O. OIL LUBRICATION MECHANISM COMPONENTS -----	39-40
P. BELT COVER COMPONENTS -----	41-42
Q. ACCESSORIES -----	43-44
R. GAUGE PARTS-LIST -----	45

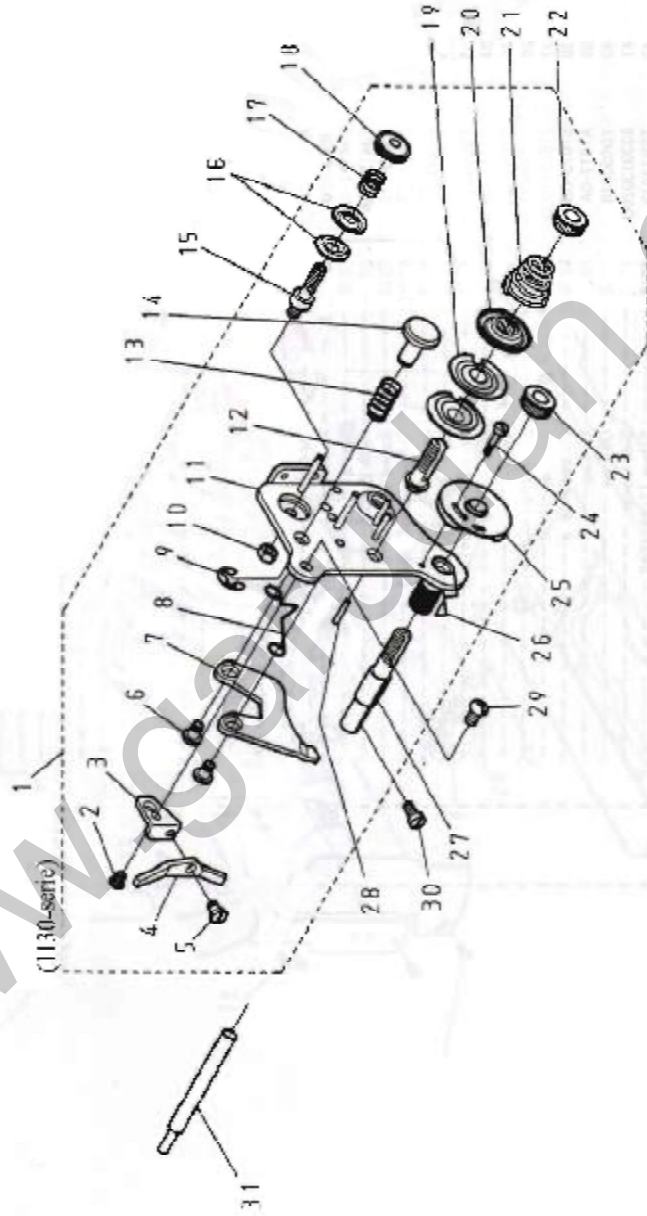
A. FRAME & MISCELLANEOUS COVER COMPONENTS



BOVAV
6-5
5-9
7-4
8-8
11-01
13-10
21-47
18-11
01-01
30-51
23-52
30-51
39-32
28-42
18-08
02-02
14-08
24-24
44
42-24

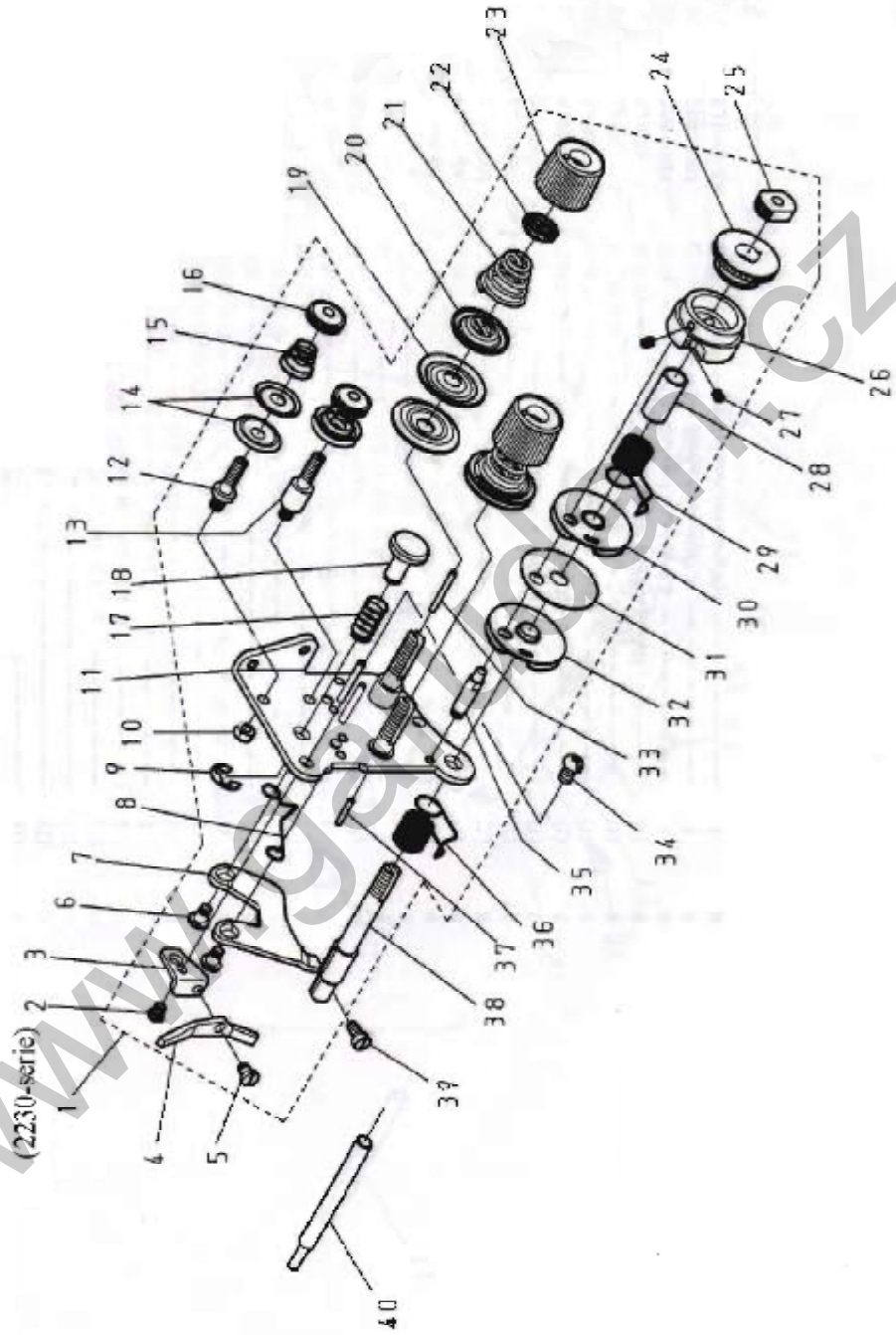
A. FRAME & MISCELLANEOUS COVER COMPONENTS				
REF.NO	PART NO	NAME OF PART	1130 - serie	2230 - serie
1	8330111100	Arm Cover	1	0
2	ZSB11012	Screw 11/64-40*8	4	0
3	EJ1011-1A	Arm Cover	1	1
4	ZSB11012	Screw 11/64-40*8	2	2
5	WA049003	Washer	2	2
6	ZSB11012	Screw 11/64-40*8	2	2
7	EJ1011-0A	Cover	1	1
8	EJ1010-1A	Guide mounting Plate	1	1
9	EJ1010-0A	Face Plate	1	1
10	ZSB11012	Screw 11/64-40*8	3	3
11	ZSB11012	Screw 11/64-40*8	2	2
12	S1014-0B	Rubber Plug	2	2
13	WARN000500	Grand Mark	1	1
14	ZSB11012	Screw 11/64-40*8	1	1
15	EJ1063-0A	Thread Take-up Cover	1	1
16	A1013-1A	Rubber Plug \varnothing 12	1	1
17	EJ1051-0A	Thread Guide	1	1
18	ZSB11041	Screw 11/64-40*7	2	2
19	8370311605	Thread Guide Asm	1	1
20	EJ1057-0A	Spring	(1)	(1)
21	EJ1055-0A	Thread Guide	(1)	(1)
22	EJ1056-0A	Guide Plate	(1)	(1)
23	ZSG08003	Hinge Screw	(1)	(1)
24	ZSB09011	Screw 9/64-40*6,5	1	1
25	A1077-0A	Oil Cap	1	1
26	RE000050	Retaining Rings-E Type 5	1	1
27	EJ4121-0A	Spring	1	1
28	EJ4120-0A	Push Button	1	1
29	ZSB09016	Screw 9/64-40*6	1	1
30	C1054-0A	Thread Guide (Upper)	1	1
31	ZSC09009	Screw 9/64-40*6,5	1	1
32	A1013-1A	Rubber Plug \varnothing 12	1	1
33	ZSC09021	Screw 9/64-40*13	1	1
34	C1141-0B	Rubber Plug	1	1
35	C1052-0A	Thread Guide	1	1
36	ZSC09021	Screw 9/64-40*13	1	1
37	7162311000	Stopper	1	1
38	S1013-0B	Rubber Plug	1	1
39	A1077-0A	Oil Cap	1	1
40	YD050018	Oil Pipe	1	1
41	8330130200	Side Cover	1	1
42	ZSB11012	Screw 11/64-40*8	4	4
43	EJ1014-0A	Oil Guard Plate	1	1
44	EJ1017-0A	Spaser	1	1

B. UPPER THREAD TENSION REGULATOR MECHANISM COMPONENTS (1/2)



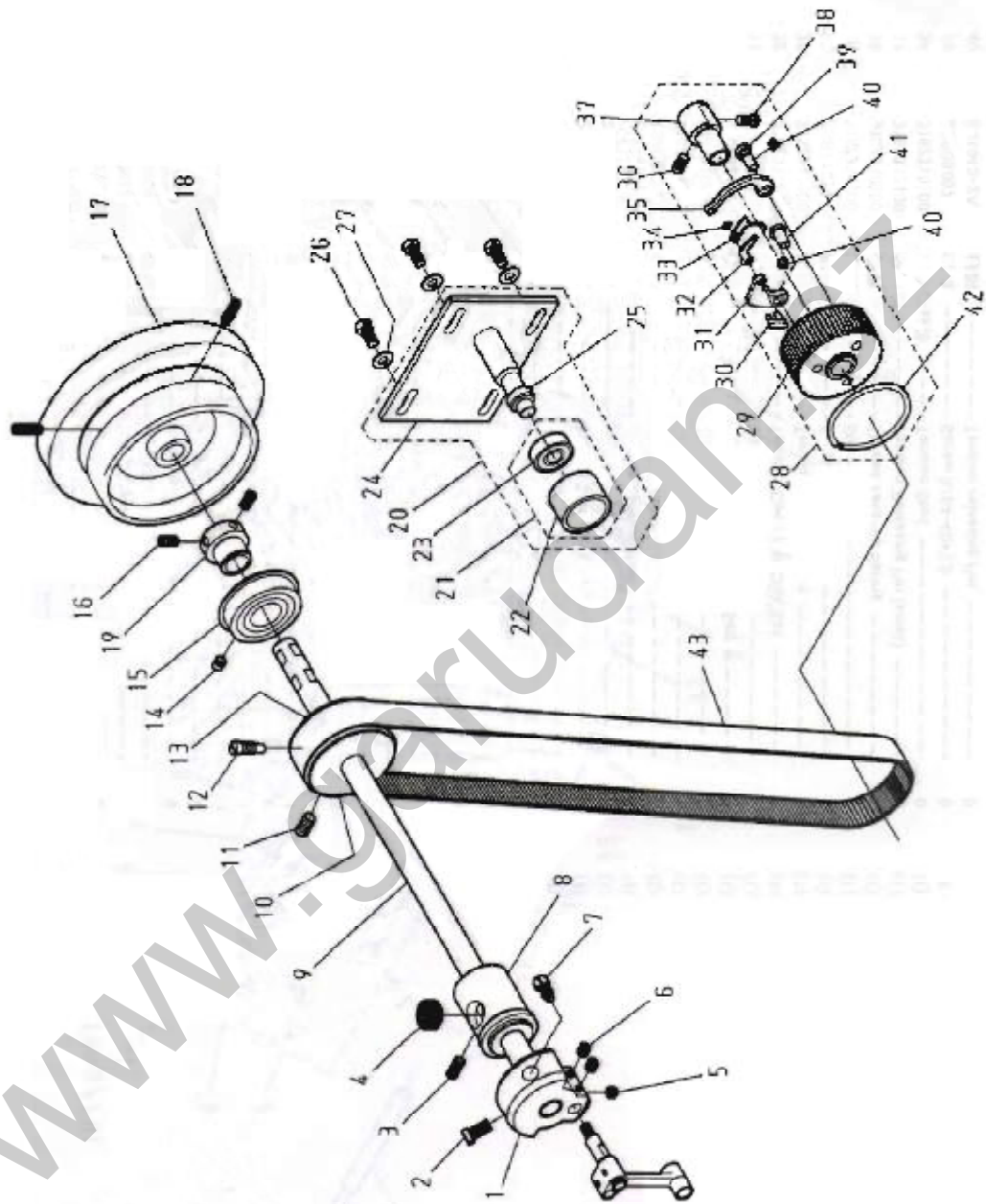
B. UPPER THREAD TENSION REGULATOR MECHANISM COMPONENTS (1/2)				
REF.NO	PART NO	NAME OF PART	1130 - serie	2230 - serie
1	EJ1020-2A	Thread Tension Regulator Asm	1	0
2	ZSB09041	Screw 9/64-40*4,5	(2)	0
3	7162312900	Plate	(1)	0
4	7162312600	Lever	(1)	0
5	ZSG09021	Hinge Screw	(1)	0
6	ZSG09004	Hinge Screw	(2)	0
7	EJ1037-0A	Tension Releasing Plate	(1)	0
8	A1036-0A	Tension Releasing Spring	(1)	0
9	RE000050	Retaining Rings - E Type 5	(1)	0
10	ZSL11007	Nut 11/64-40	(1)	0
11	EJ1038-2A	Mounting Plate Com	(1)	0
12	A1026-1A	Tension Stud	(1)	0
13	EJ1032	Spring	(1)	0
14	7162312700	Push Botton	(1)	0
15	EJ1026-3A	Tension Stud	(1)	0
16	EJ1025-2A	Tension Regulator Disk	(2)	0
17	EJ1032-3A	Spring	(1)	0
18	ZSN11001	Nut 11/64-40	(1)	0
19	A1035-0A	Tension Regulator Disk	(2)	0
20	A1034-0A	Tension Regulator Presser Disk	(1)	0
21	E1021-0A	Tension Spring	(1)	0
22	ZSN16002	Tension Thumb Nut 1/4-40	(1)	0
23	ZSN16002	Tension Thumb Nut 1/4-40	(1)	0
24	ZSB06001	Screw 3/32-56*6	(1)	0
25	A1024-1A	Tension Controller Disk Set	(1)	0
26	EJ1027-0A	Thread Take - up Spring	(1)	0
27	EJ1026-0A	Tension Stud	(1)	0
28	EJ1028-0A	Tension Releasing Pin (small)	(1)	0
29	ZSB11021	Screw 11/64-40*5,5	1	0
30	ZSB09007	Screw 9/64-40*7,5	1	0
31	EJ1043-2A	Tension releasing Pin	1	0

B. UPPER THREAD TENSION REGULATOR MECHANISM COMPONENTS (2/2)



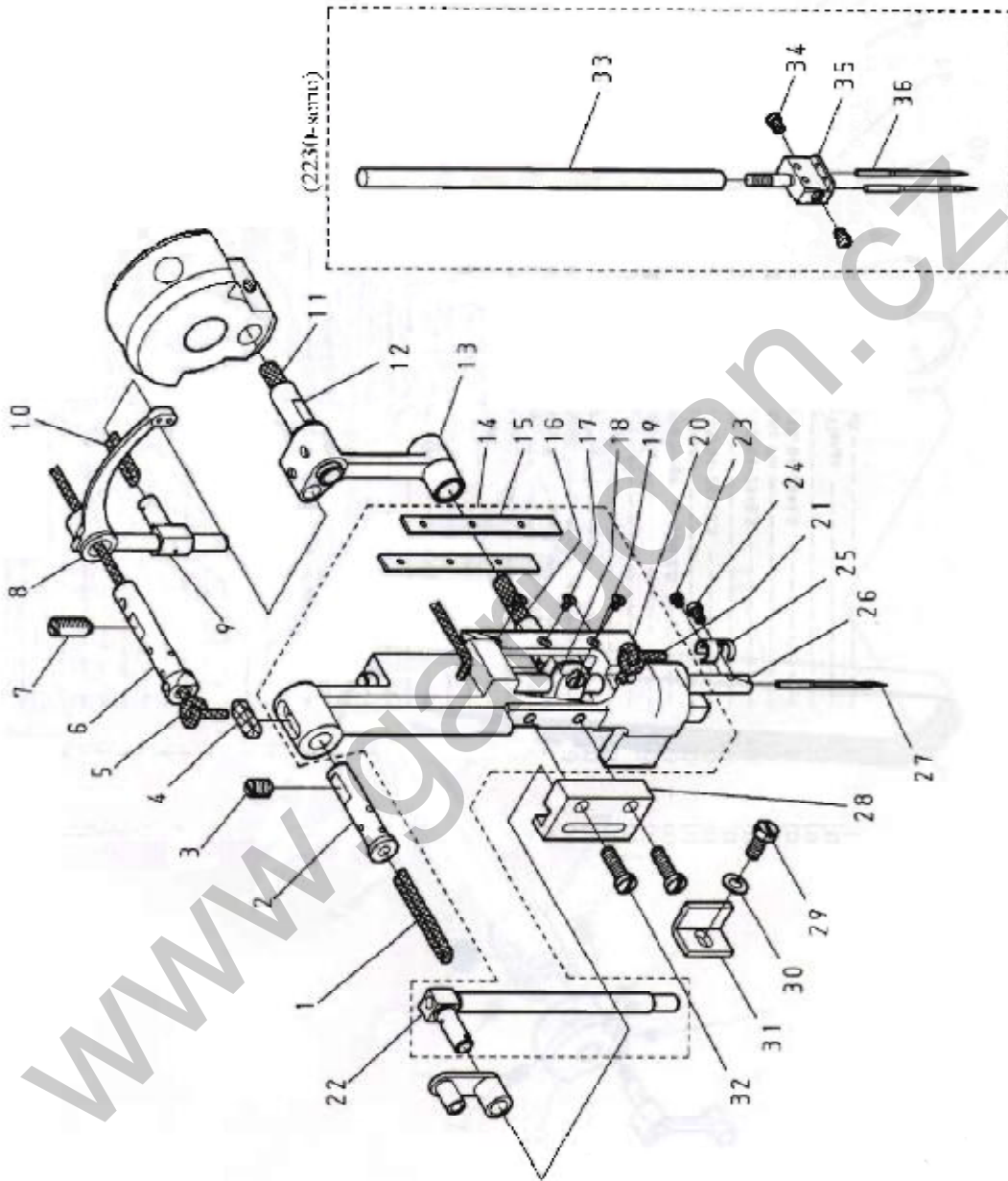
B. UPPER THREAD TENSION REGULATOR MECHANISM COMPONENTS (2/2)				
REF.NO	PART NO	NAME OF PART	1130 - serie	2230 - serie
1	8350310505	Thread Tension Regulator Asm	0	1
2	ZSB09041	Screw 9/91-40*4,5	0	(2)
3	7162312900	Plate	0	(1)
4	7162312600	Lever	0	(1)
5	ZSG09021	Hinge Screw	0	(1)
6	ZSG09004	Hinge Screw	0	(2)
7	EJ1037-0A	Tension Releasing Plate	0	(1)
8	A1036-0A	Tension Releasing Spring	0	(1)
9	RE00050	Retaining Rings-E Type 5	0	(1)
10	ZSL11007	Nut 11/64-40	0	(1)
11	7162310504	Mounting Plate Com	0	(1)
12	7162314000	Shread Tension Stud	0	(1)
13	7162314100	Shread Tension Stud	0	(1)
14	E1025-2A	Tension Disk	0	(4)
15	7162312300	Spring	0	(2)
16	ZSN11001	Nut 11/64-40	0	(2)
17	EJ1032-3A	Spring	0	(1)
18	7162312700	Push Botton	0	(1)
19	A1025-0A	Tension Regulator Disk	0	(4)
20	A1034-0A	Tension Regulator Presser Disk	0	(2)
21	EJ1021-1A	Tension Spring	0	(2)
22	A1042-0A	Tension Disk Stopper	0	(2)
23	ZSR16007	Tension Thumb Nut 1/4-40	0	(2)
24	7162314400	Thread Take -up Spring Guide	0	(1)
25	7162310300	Nut 1/4-40	0	(1)
26	7162314500	Shread Tension Post	0	(1)
27	ZSA08003	Screw 1/8-44*3,6	0	(2)
28	7162314600	Collar	0	(1)
29	7162310800	Thread Take -up Spring	0	(1)
30	7162314204	Tension Controller Disk Set	0	(1)
31	7162313200	Spacer	0	(1)
32	7162314304	Tension Controller Disk Set	0	(1)
33	7162312200	Tension Releasing Pin	0	(1)
34	ZSB11029	Screw 11/64-40*7	0	(1)
35	7162314700	Stud	0	(1)
36	7162310900	Thread Take - up Spring	0	(1)
37	7162312400	Tension Releasing Pin (small)	0	(1)
38	7162310100	Tension Stud	0	(1)
39	ZSB09007	Screw 9/64-40*7,5	0	1
40	EJ1043-2A	Tension releasing Pin	0	1

C. MAIN SHAFT COMPONENTS



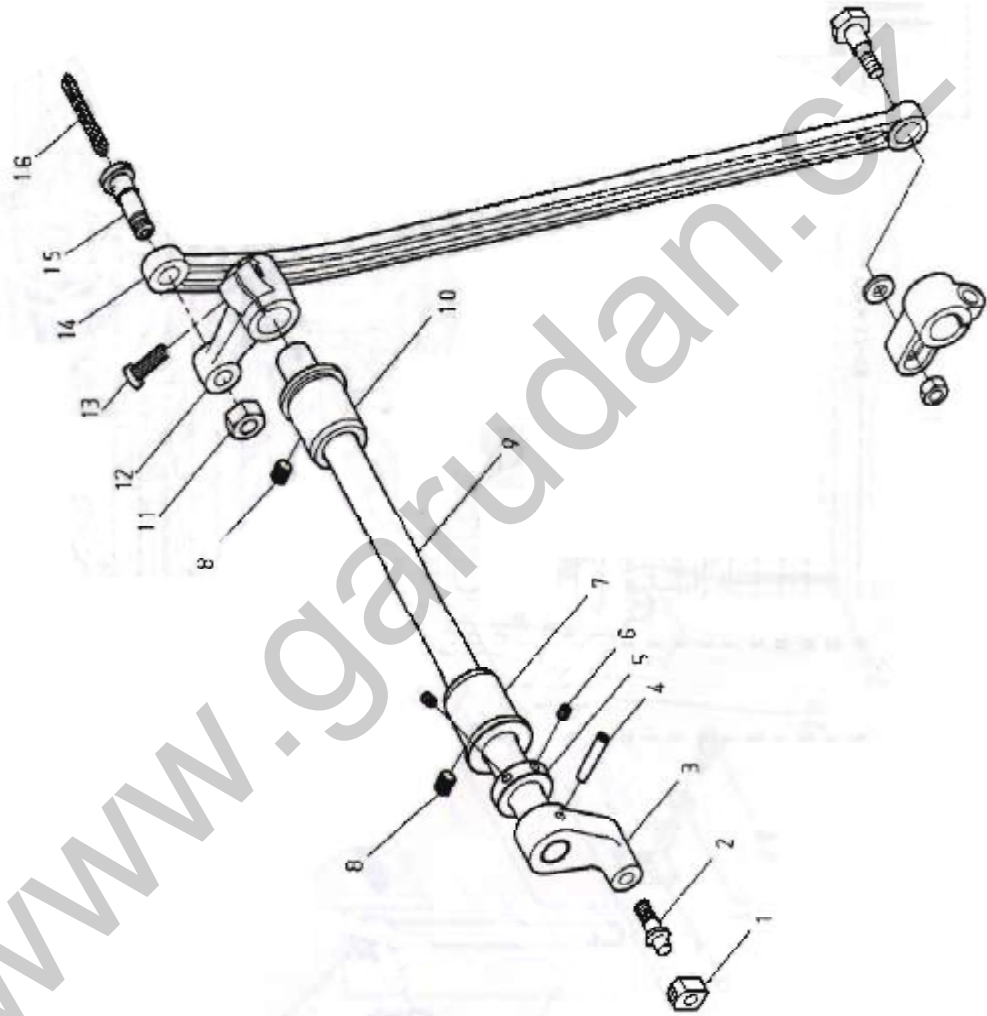
C. MAIN SHAFT COMPONENTS				
REF.NO	PART NO	NAME OF PART	1130 - serie	2230 - serie
1	EJ1106-1A	Counterweight	1	1
2	ZSB18002	Screw 9/32-28*13	1	1
3	ZSA16034	Screw 1/4-24*13	1	1
4	XB118001	Felt	1	1
5	ZSA16010	Screw 1/4-40*4,5	1	1
6	ZSA16025	Screw 1/4-40*6	2	2
7	ZSB18001	Screw 9/32-28*9,5	1	1
8	EJ1101-0A	Arm Shaft Bushing (Left Front - side)	1	1
9	8330120100	Main Shaft	1	1
10	7162130800	Belt Puiiy (Upper)	1	1
11	ZSB15006	Screw 15/64-28*8,5	1	1
12	ZSB15041	Screw 15/64-28*14,5	1	1
13	B1321-0A	Spring Flange	2	2
14	ZSA16033	Screw 1/4-24*8	1	1
15	BB6204ZZNR	Ball Bearing	1	1
16	ZSB15006	Screw 15/64-28*8,5	2	2
17	8330122300	Balanse Whwwl	1	1
18	ZSB15026	Screw 15/64-28*18	2	2
19	EJ1103-0A	Bushing	1	1
20	8330131605	Idler Asm	1	1
21	8370131704	Idler Com	(1)	(1)
22	8370131700	Idler	(1)	(1)
23	BB6000ZZ	Ball Bearing	(1)	(1)
24	8330131604	Idler Base Com	(1)	(1)
25	8330131600	Idler Shaft	(1)	(1)
26	ZSD15007	Screw 15/64-28*14	4	4
27	WA069001	Washer	4	4
28	8330130905	Belt Puiiy Asm. (Lower)	1	1
29	8330130900	Belt Puiiy (Lower)	(1)	(1)
30	EJ4134-0A	Link	(1)	(1)
31	EJ4133-0A	Plate	(1)	(1)
32	B4135-0A	Plate	(1)	(1)
33	EJ4132-0A	Twist Spring	(1)	(1)
34	RE000025	Retaining Rings - E Type 2,5	(1)	(1)
35	EJ4138-0A	Spring plate	(1)	(1)
36	ZSB15004	Screw 15/64-28*10,5	(1)	(1)
37	E14136-0A	Bushing	(1)	(1)
38	ZSB15006	Screw 15/64-28*8,5	(1)	(1)
39	EJ4137-0A	Eccentric Pin	(1)	(1)
40	ZSA15021	Screw 15/64-28*4,5	(2)	(2)
41	B4131-0A	Pin	(1)	(1)
42	B1321-0A	Spring Flange	(1)	(1)
43	8330131000	Cog Belt	1	1

D. NEEDLE BAR & THREAD TAKE-UP LEVER COMPONENTS



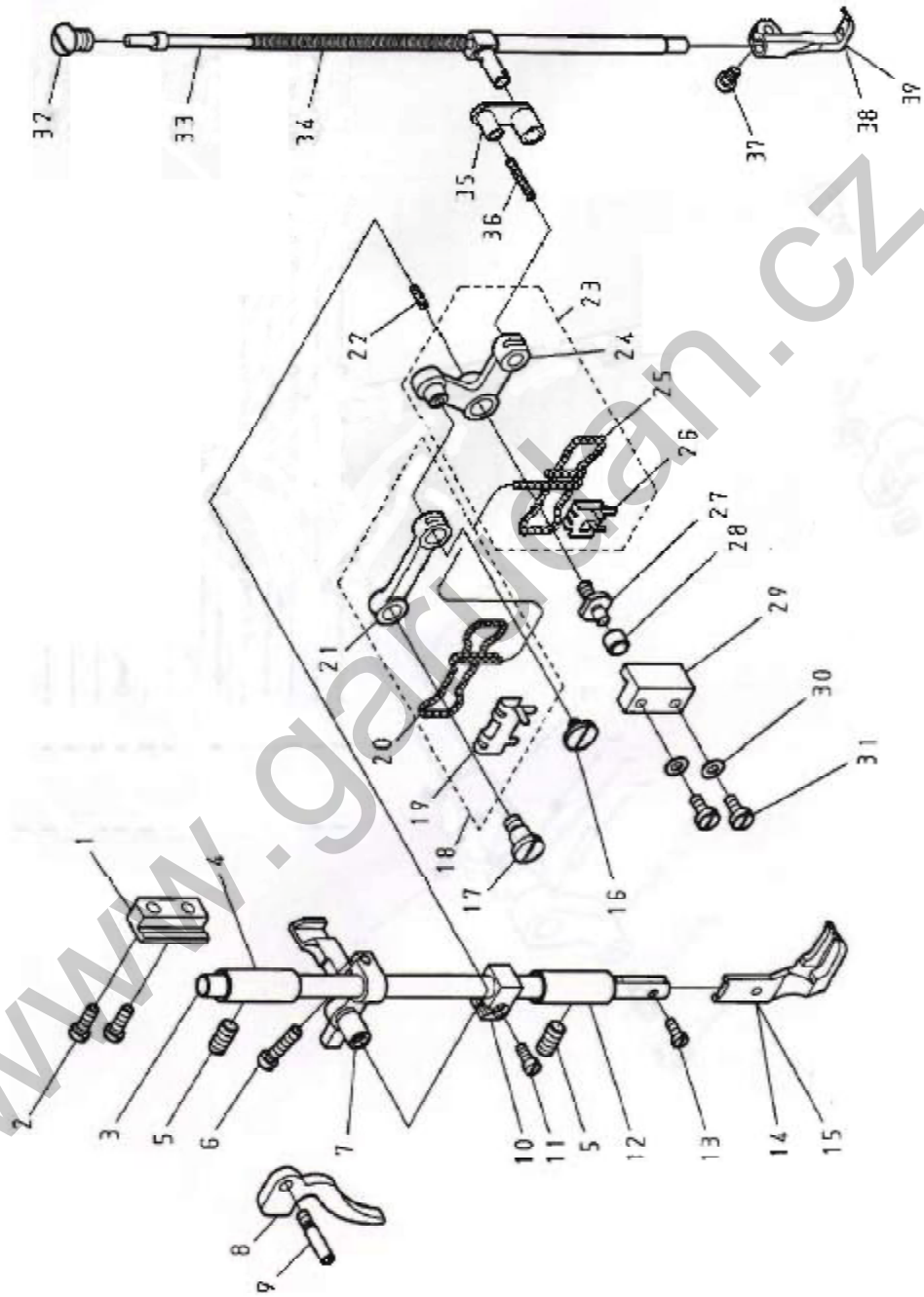
D. NEEDLE BAR & THREAD TAKE-UP LEVER COMPONENTS				
REF.NO	PART NO	NAME OF PART	1130 - serie	2230 - serie
1	XA300080	Oil Wick	1	1
2	EJ1091-0A	Needle Bar Guide Bracket Stud	1	1
3	ZSA15017	Screw 15/64-28*8,5	1	1
4	XB206003	Felt	1	1
5	XA300240	Oul Wick	1	1
6	A1061-0A	Thread Take-up Lever Support Stud	1	1
7	ZSA15010	Screw 15/64-28*8,5	1	1
8	EJ1060-0A	Thread Take-up Lever	1	1
9	C1062-0A	Thread Take-up Slide Brock	1	1
10	XA300027	Oil Wick	1	1
11	XA300065	Oil Wick	1	1
12	A1107-0A	Needle Bar Crank Shaft	1	1
13	EJ1080-0A	Connecting Link	1	1
14	B370270105	Needle Bar Guide Bracket Asm	1	1
15	EJ1081-0A	Spacer	(2)	(2)
16	XA300040	Oil Wick	(1)	(1)
17	ZSC06005	Screw 3/32-56*4	(6)	(6)
18	EJ1074-0A	Needle Bar Holder	(1)	(1)
19	ZSB09032	Screw 9/64-40*8,5	(1)	(1)
20	EJ1090-0A	Needle Bar Guide Bracket	(1)	(1)
21	XA300200	Oil Wick	(1)	(1)
22	EJ1282-0A	Vibrating Presser Bar	(1)	(1)
23	ZSB06002	Screw 3/32-56*3	1	0
24	ZSB08002	Screw 1/8-44*3	1	0
25	F1076-0A	Needle Bar Thread Guide	1	0
26	EJ1070-0A	Needle Bar	1	0
27	INDPX17-22	Needle DP x 17-22	1	0
28	8370143700	Vibrating Presser Bar Guide	1	1
29	ZSD11001	Screw 11/64-40*10	1	1
30	WA059002	Washer	1	1
31	EJ1092-0A	Needle Bar Guide	1	1
32	ZSB11010	Screw 11/64-40*15	2	2
33	EJ1070-1A	Needle Bar	0	1
34	ZSB09027	Screw 9/64-40*4	0	2
35	EJ1075-1A	Needle Clamp	0	1
36	INDPX17-18	Needle DP x 17-18	0	2

E. NEEDLE BAR ROCKING MOTION MECHANISM COMPONENTS



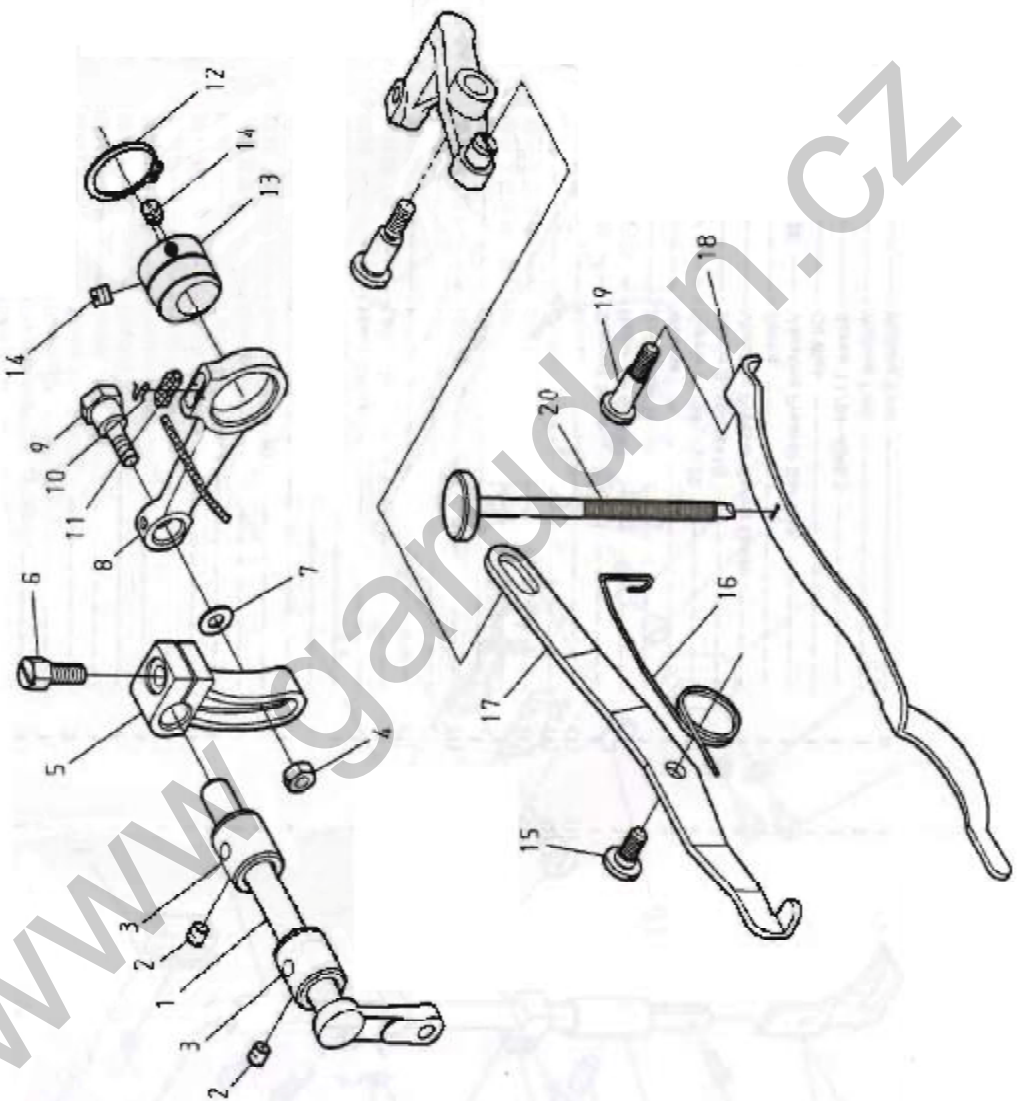
E. NEEDLE BAR ROCKING MOTION MECHANISM COMPONENTS				
REF.NO	PART NO	NAME OF PART	1130 - serie	2230 - serie
1	EJ1334-0A	Square Block	1	1
2	EJ1333-0A	Crank Pin	1	1
3	EJ1332-0A	Needle Bar Vibrating Crank (Left)	1	1
4	YB040025	Taper Pin ϕ 4*25*1/5	1	1
5	EJ1334-0A	Thrust Collar	1	1
6	ZSA11005	Screw 11/64-40*5,5	2	2
7	EJ1341-0A	Needle Bar Vibrating Shaft Bushing (Front)	1	1
8	ZSA16033	Screw 1/4-24*8	2	2
9	EJ1331-0A	Needle Bar Vibrating Shaft	1	1
10	EJ1343-0A	Needle Bar Vibrating Shaft Bushing (Rear)	1	1
11	ZSL20004	Nut 5/16-24	1	1
12	8370271000	Needle Bar Vibrating Crank (Right)	1	1
13	ZSB16004	Screw 1/4-24*16	1	1
14	8330271100	Connectinng Rod	1	1
15	EJ1337-0A	Hinge Screw	1	1
16	XA300085	Oil Wick	1	1

F. PRESSER FOOT BAR MECHANISM COMPONENTS



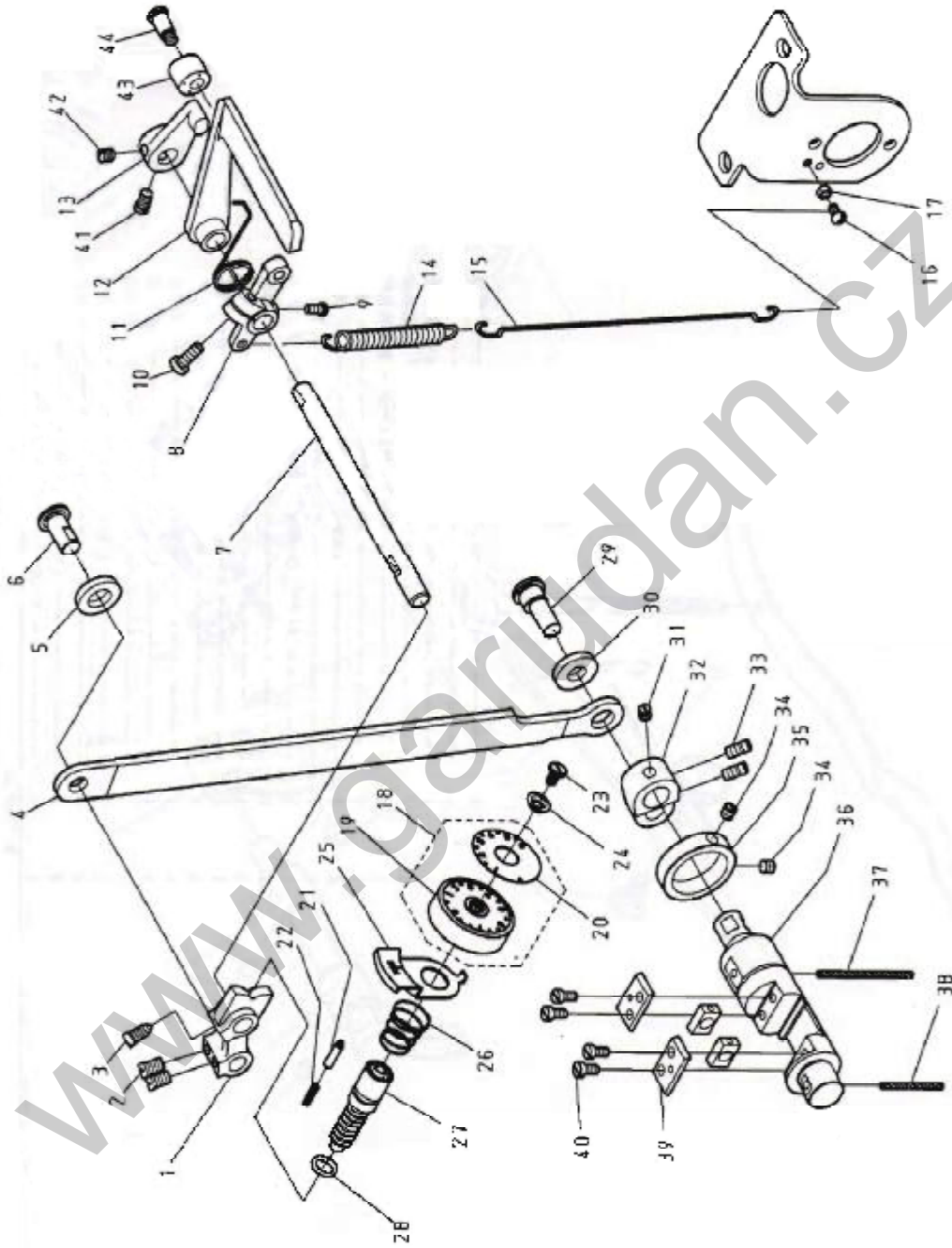
F. PRESSER FOOT BAR MECHANISM COMPONENTS				
REF.NO	PART NO	NAME OF PART	1130 - serie	2230 - serie
1	EJ1208-0A	Guide	1	1
2	ZSB11017	Screw 11/64-40*12	2	2
3	EJ1180-0A	Presser Bar	1	1
4	C1183-0A	Bushing	1	1
5	ZSA16034	Screw 1/4-24*13	2	2
6	ZSB11083	Screw 11/64-40*15	1	1
7	EJ1272-0A	Bracket	1	1
8	EJ1200-0A	Pressure Bar Lifter	1	1
9	ZSK11036	Hinge Screw	1	1
10	B1275-0A	Spring Bracket	1	1
11	ZSB10002	Screw 5/32-40*9	1	1
12	C1183-0A	Bushing	1	1
13	ZSB0902B	Screw 9/64-40*11	1	1
14	EJ1235-0A	Presser Foot	1	0
15	EJ1235-1A	Presser Foot	0	1
16	ZSB11069	Screw 11/64-32*6	1	1
17	ZSG16018	Hinge Screw	1	1
18	8370145105	Link Asm	1	1
19	8370353100	Holder	(1)	(1)
20	XA300130	Oil Wick	(1)	(1)
21	EJ1287-0A	Link (Left)	(1)	(1)
22	XA300010	Oil Wick	1	1
23	8370143605	Bell Crank Asm	1	1
24	EJ1286-0A	Bell Crank	(1)	(1)
25	XA300140	Oil Wick	(1)	(1)
26	8370353200	Holder	(1)	(1)
27	EJ1283-0A	Support Shaft	1	1
28	EJ1284-0A	Roller	1	1
29	EJ1278-0A	Bell Crank Guide	1	1
30	WA049006	Washer	2	2
31	ZSB11026	Screw 11/64-40*10	2	2
32	ZSB20009	Screw 5/16-28*10	1	1
33	EJ1280-0A	Vibrating Presser Spring Guide	1	1
34	EJ1281-0A	Spring	1	1
35	B1283-0A	Vibrating Presser Bar Link	1	1
36	XA300020	Oil Wick	1	1
37	ZSB11020	Screw 11/64-40*6,5	1	1
38	EJ1237-0A	Walking Foot	1	0
39	EJ1237-0A	Walking Foot	0	1

G. UPPER FEED MECHANISM COMPONENTS



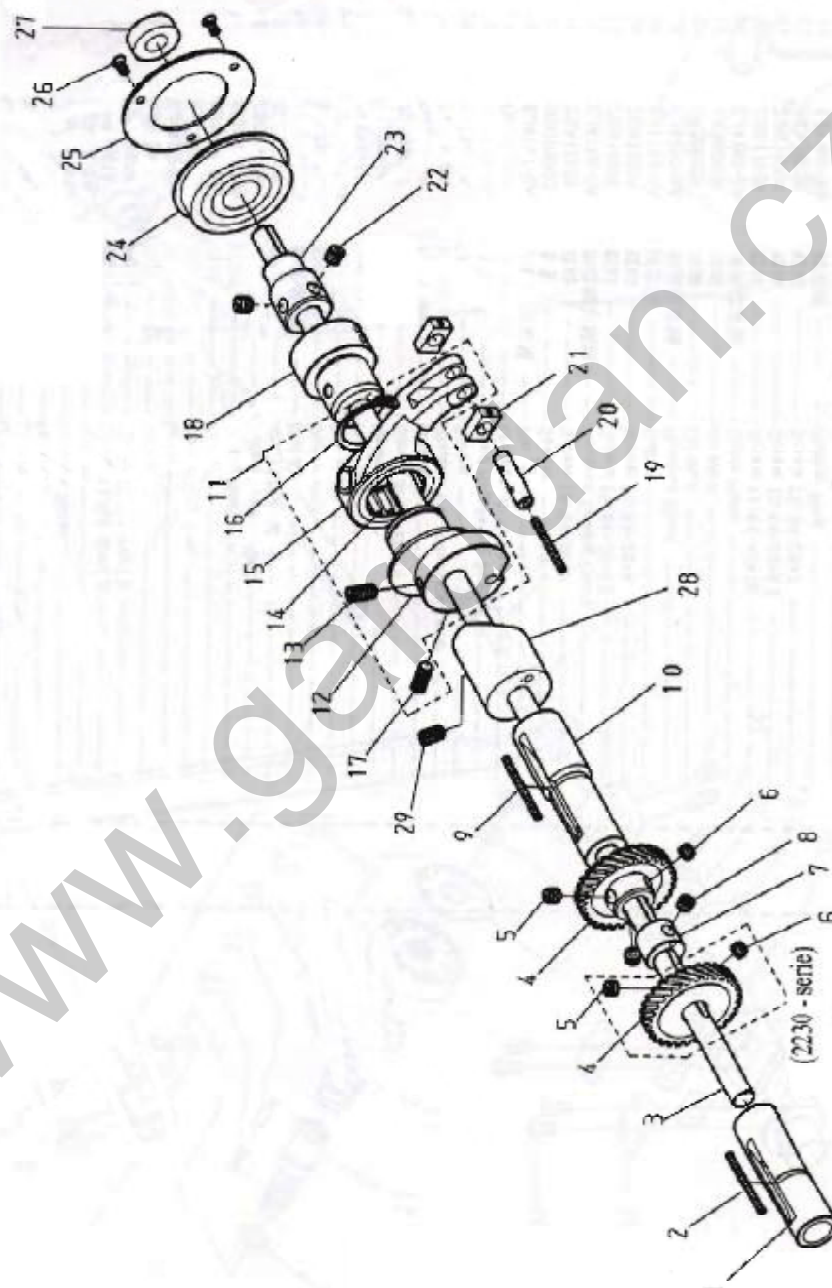
G. UPPER FEED MECHANISM COMPONENTS				
REF.NO	PART NO	NAME OF PART	1130 - serie	2230 - serie
1	EJ1290-0A	Feed Lifting Rock Shaft	1	1
2	ZSA15028	Screw 15/64-28*7	2	2
3	E1291-0A	Bushing	2	2
4	ZML06001	Nut M6x0,75	1	1
5	EJ1295-0A	Lever (Light)	1	1
6	ZSD16007	Screw 1/4-24*16	1	1
7	WA069011	Washer	1	1
8	E1297-0A	Connecting Rod	1	1
9	ZMG06003	Hinge Screw	1	1
10	A1130-0A	Spring	1	1
11	XB206003	Felt	1	1
12	RB200250	Retaining Rings - C Type 25	1	1
13	E1298-0A	Eccentric	1	1
14	ZSA16011	Screw 1/4-40*7	2	2
15	ZSG16005	Hinge Screw	1	1
16	EJ1301-0A	Twist Spring	1	1
17	EJ1305-0A	Knee Lifting Lever	1	1
18	EJ1300-0A	Lever Spring	1	1
19	ZSG16003	Hinge Screw	1	1
20	ZSK16017	Hinge Screw	1	1

H. STITCH REGULATOR MECHANISM COMPONENTS



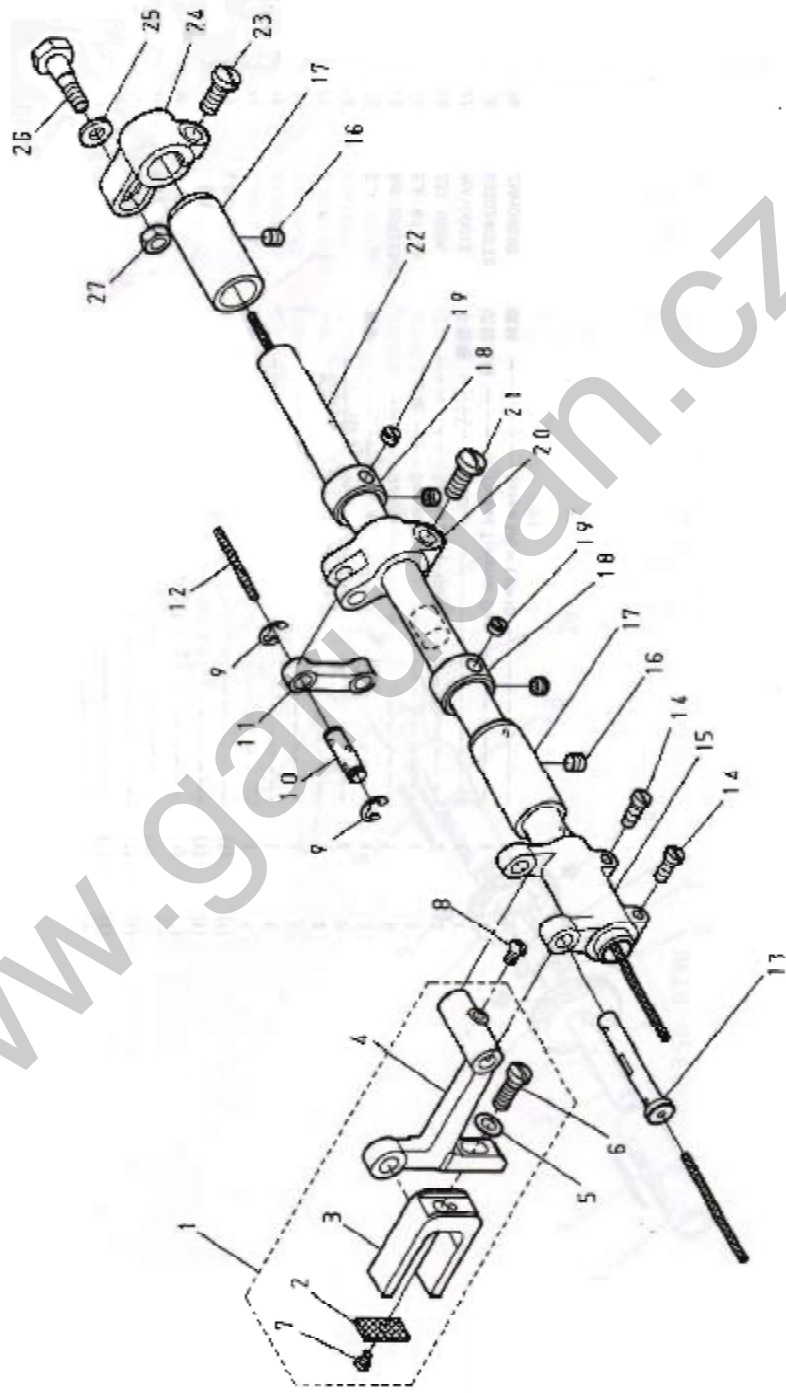
H. STITCH REGULATOR MECHANISM COMPONENTS				
REF.NO	PART NO	NAME OF PART	1130 - serie	2230 - serie
1	EJ1150-0A	Feed Regulator CAM	1	1
2	ZSB15006	Screw 15/64-28*8,5	2	2
3	ZSB15037	Screw 15/64-28*11,5	1	1
4	8330165100	Link	1	1
5	WH212004	Spacer	1	1
6	EJ1155-0A	Eccentric Shaft	1	1
7	83301618T0	Reverse Stitch Shaft	1	1
8	EJ1163-2A	Arm	1	1
9	ZSB11014	Screw 11/64-40*8,5	1	1
10	ZSB15009	Screw 15/64-28*13	1	1
11	EJ1165-2A	Spring	1	1
12	EJ1160-2A	Lever	1	1
13	EJ1162-2A	Connecting Arm	1	1
14	EJ1166-0A	Spring	1	1
15	8330166000	Spring Hook	1	1
16	ZSB11029	Screw 11/64-40*7	1	1
17	ZSL11007	Nut 11/64-40	1	1
18	8370164005	Dial Asm	1	1
19	E1172-2A	Dial	(1)	(1)
20	4400164100	Dial Plate	(1)	(1)
21	E1171-2A	Pin	1	1
22	E1158-0A	Spring	1	1
23	ZSB12017	Screw 3/16-28*15	1	1
24	C1174-0A	Washer	1	1
25	E1173-2A	Stopper Pin Releasing Lever	1	1
26	E1174-2A	Spring	1	1
27	EJ1170-0A	Feed Regulating Screw	1	1
28	OP00100A	O-rings ø 10	1	1
29	EJ4157-0A	Pin	1	1
30	WH209003	Spacer	1	1
31	ZSA15025	Screw 15/64-28*6	1	1
32	EJ4156-0A	Reverse Sewing Crank	1	1
33	ZSB15006	Screw 15/64-28*8,5	2	2
34	ZSA15025	Screw 15/64-28*6	2	2
35	EJ4154-0A	Collar	1	1
36	EJ4150-0A	Reverse Block	1	1
37	XA300055	Oil Wick	1	1
38	XA300035	Oil Wick	1	1
39	EJ4153-0A	Guide Plate	2	2
40	ZSB1102B	Screw 11/64-40*10	4	4
41	ZSB15006	Screw 15/64-28*8,5	1	1
42	ZSA15028	Screw 15/64-28*7	1	1
43	EJ1169-2A	Rubber Ring	1	1
44	ZSG15036	Hinge Screw	1	1

I. LOWER SHAFT MECHANISM COMPONENTS



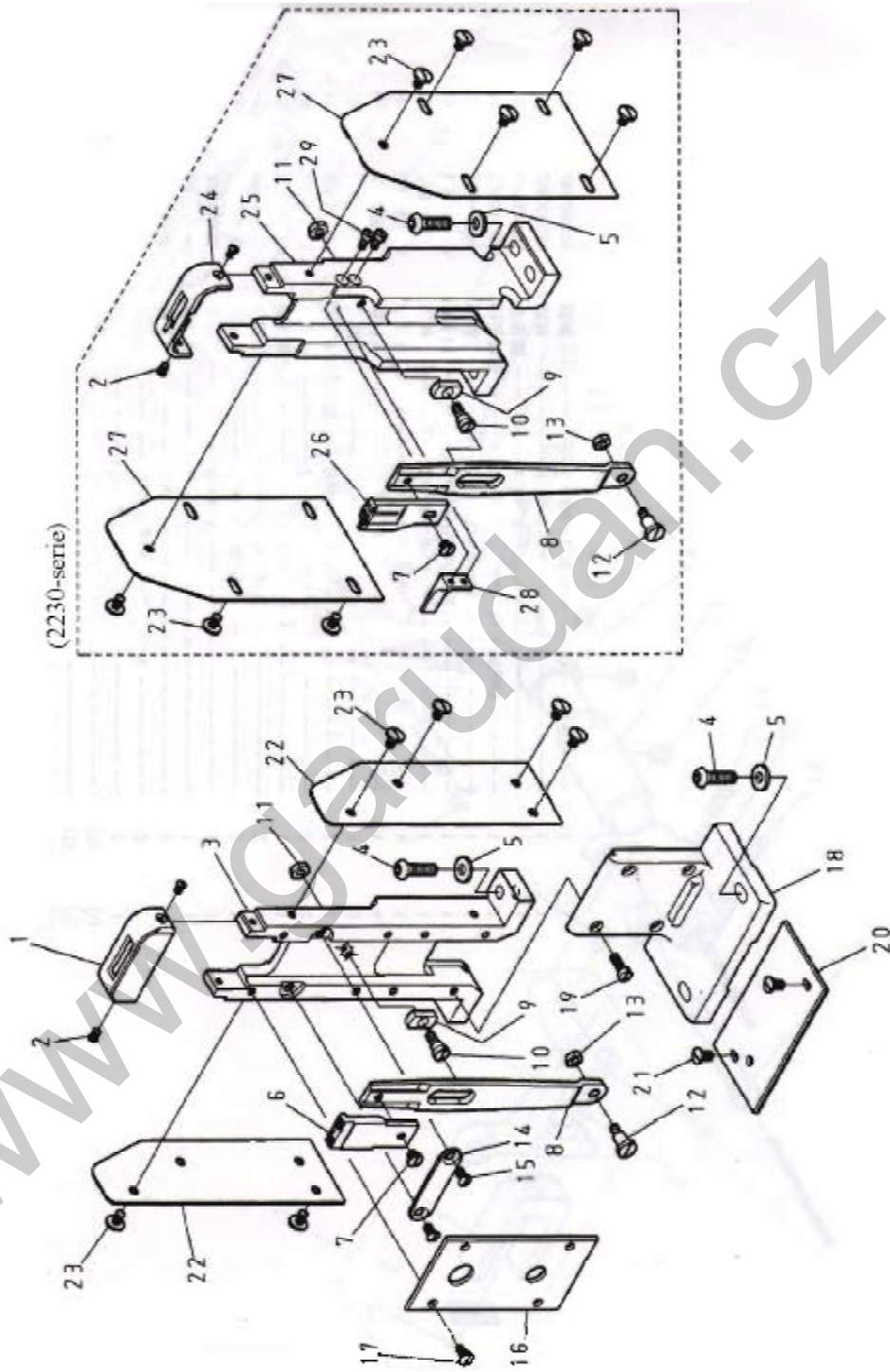
I. LOWER SHAFT MECHANISM COMPONENTS				
REF.NO	PART NO	NAME OF PART	1130 - serie	2230 - serie
1	EJ4011-0A	Bushing. Front	1	1
2	XB304001	Oil Wick	1	1
3	8330180100	Hook Driving Shaft	1	1
4	C4026-0A	Spiral Gear (Large)	1	2
5	ZSA16041	Screw 1/4-40*4,5	2	4
6	ZSA16040	Screw 1/4-40*7	1	2
7	C4015-0A	Feed Eccentric Cam	1	1
8	ZSA16021	Screw 1/4-40*5	1	1
9	XB304001	Oil Wick	1	1
10	EJ4012-0A	Bushing (Lower Shaft Right - side)	1	1
11	8370160905	Feed Regulator Asm	1	1
12	EJ4016-0A	Feed Eccentric	(1)	(1)
13	ZSH15002	Screw 15/64-28*8	(1)	(1)
14	BNTA2616Z	Needle Bearing	(1)	(1)
15	EJ4017-0A	Feed Connecting Rod	(1)	(1)
16	RB200260	Retaining Rings-C Type 26	(1)	(1)
17	ZSH15006	Screw 15/64-28*12	(1)	(1)
18	EJ4013-1A	Bushing (Lower Shaft Middle - side)	1	1
19	XA300030	Oil Wick	1	1
20	EJ4151-0A	Shaft	1	1
21	EJ4152-0A	Square Block	2	2
22	ZSA16025	Screw 1/4-40*6	2	2
23	EJ4060-0A	Bushing	1	1
24	BB6203ZZNR	Ball Bearing	1	1
25	EJ4061-0A	Bearing Holder	1	1
26	ZSC09006	Screw 9/64-40*7	3	3
27	WA100013	Washer	1	1
28	83302405T0	Thread Trimmer Cam	1	1
29	ZMH06010	Screw M6 x 1.0*10	2	2

J. LOWER FEED MECHANISM COMPONENTS (1/2)



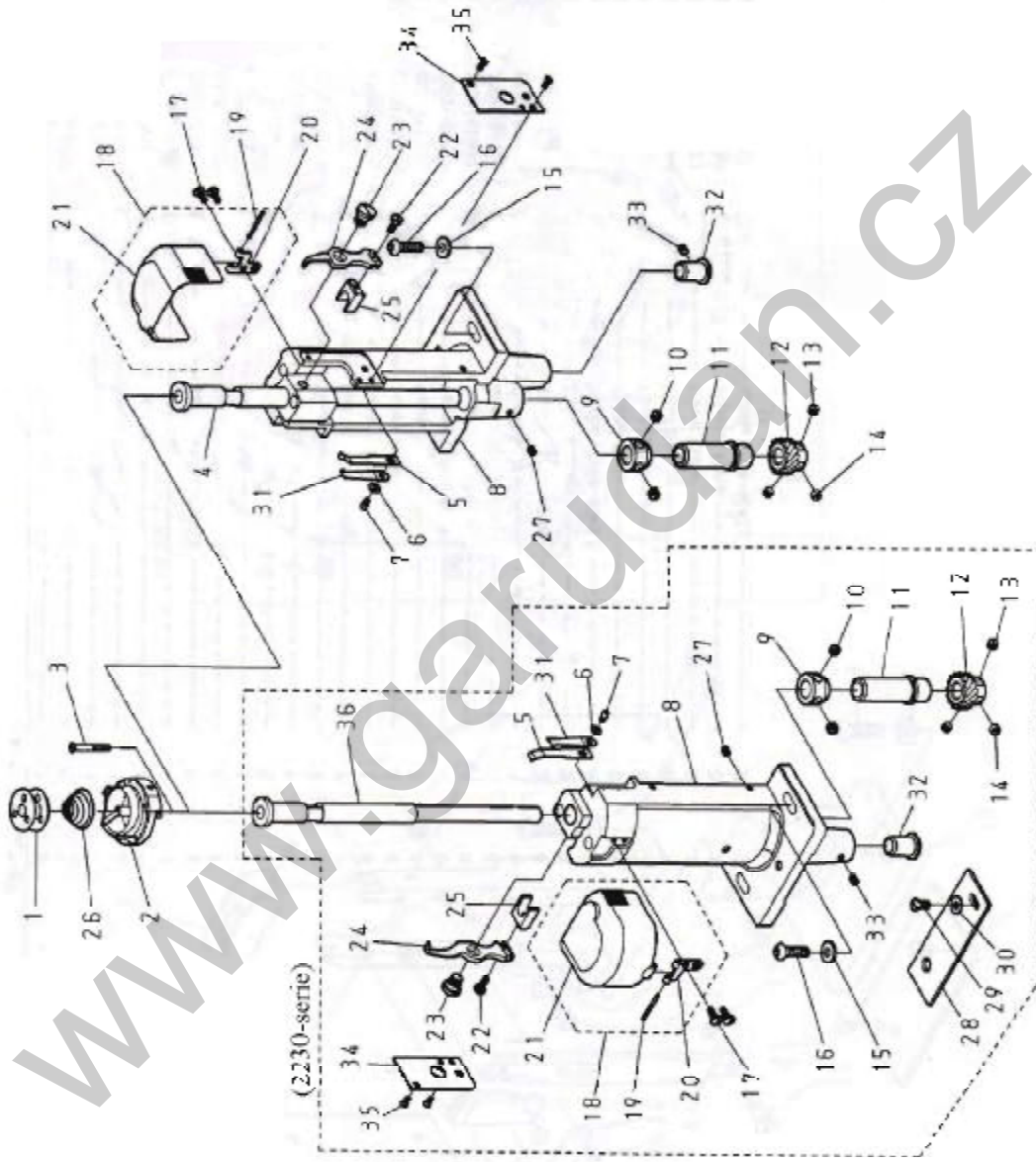
J. LOWER FEED MECHANISM COMPONENTS (1/2)				
REF.NO	PART NO	NAME OF PART	1130 - serie	2230 - serie
1	8370160105	Feed Bar Asm	1	1
2	XB312002	Felt	(1)	(1)
3	EJ4055-0A	Feed Bar Forked Connection	(1)	(1)
4	8370160100	Feec Bar	(1)	(1)
5	WA069003	Washer	(1)	(1)
6	ZSD15002	Screw 15/64-28*15,5	(1)	(1)
7	ZSB08010	Screw 1/8-44*4,6	(1)	(1)
8	ZSB11029	Screw 11/64-40*7	1	1
9	RE000060	Retaining Rings - E Type 6	2	2
10	EJ4047-0A	Shaft	1	1
11	EJ4018-0A	Link	1	1
12	XA300030	Oil Wick	1	1
13	EJ4051-0A	Feed Bar Shafts	1	1
14	ZSB12015	Screw 3/16-28*12	2	2
15	EJ4045-0A	Feed Bar Rod	1	1
16	ZSA16033	Screw 1/4-24*8	2	2
17	EJ4041-0A	Bushing, Front	2	2
18	EJ4044-0A	Thrust Collar	2	2
19	ZSA16010	Screw 1/4-40*4,5	4	4
20	EJ4048-0A	Feed Connection Crank (Middle)	1	1
21	ZSB16004	Screw 1/4-24*16	1	1
22	EJ4040-0A	Feed Rocker Shaft	1	1
23	ZSB16004	Screw 1/4-24*16	1	1
24	EJ4046-0A	Feed Connection Crank (Right)	1	1
25	WH206001	Washer	1	1
26	ZMG06013	Hinge Screw	1	1
27	ZML06005	Nut M6x0,75	1	1

J. LOWER FEED MECHANISM COMPONENTS (2/2)



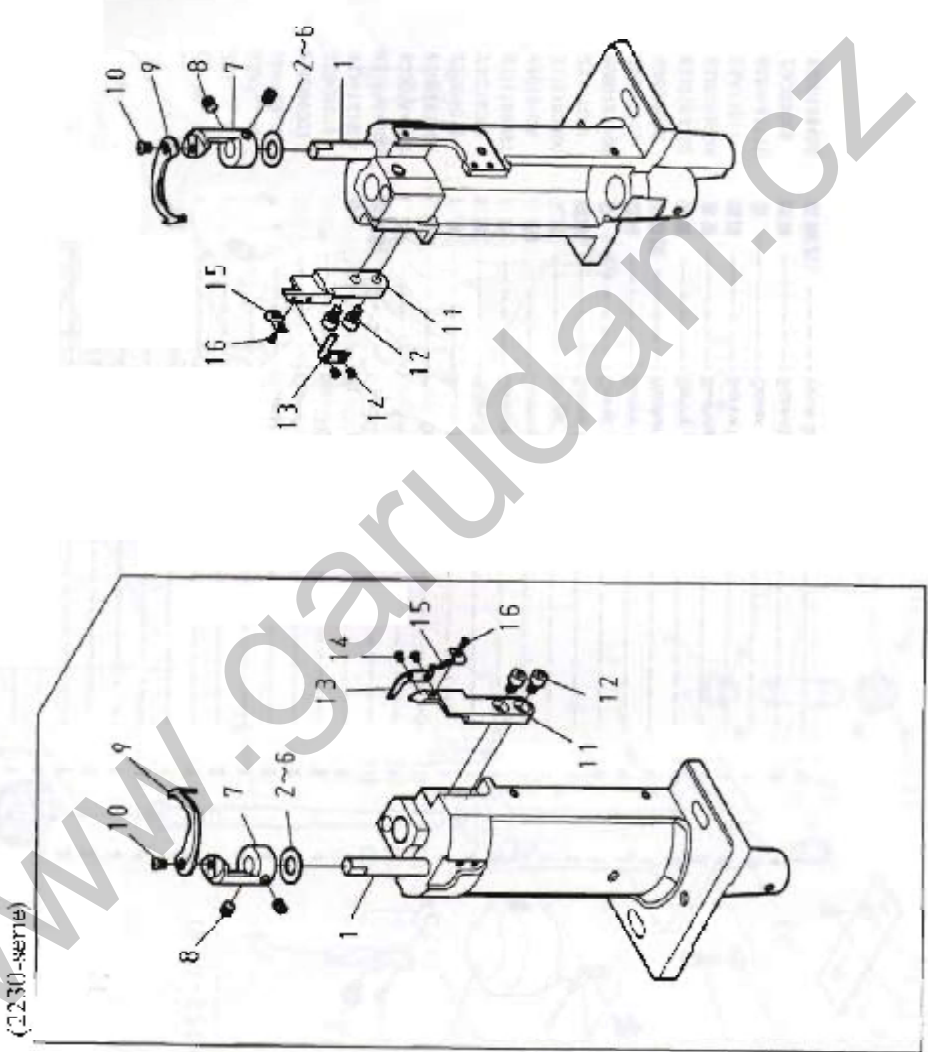
J. LOWER FEED MECHANISM COMPONENTS (2/2)				
REF.NO	PART NO	NAME OF PART	1130 - serie	2230 - serie
1	83301113T0	Throat Plate	1	0
2	ZSC11007	Screw 11/64-40*8,5	2	2
3	83301624T0	Feed Link Support	1	0
4	ZMQ06002	Screw M6x1.0*23	4	4
5	WA060004	Washer	4	4
6	8330161400	Feed Dog	1	0
7	ZSB11093	Screw 11/64-40*4,3	1	1
8	8330162500	Feed Link	1	1
9	A6053-0A	Slide Block	1	1
10	ZSG12007	Hinge Screw	1	1
11	ZSL12002	Nut 3/16-28	1	1
12	ZSG16007	Hinge Screw	1	1
13	ZSL16010	Nut 1/4-24	1	1
14	8330174300	Support Plate	1	0
15	ZSC11002	Screw 11/64-40*9	2	0
16	8330116300	Cover (Left)	1	0
17	ZSQ11001	Screw 11/64-40*8	4	0
18	8330162900	Support Plate	1	0
19	ZSB11017	Screw 11/64-40*12	4	0
20	8330187100	Cover	1	0
21	ZSQ11001	Screw 11/64-40*8	2	0
22	83301631T1	Cover Plate	2	0
23	ZSB11016	Screw 11/64-40*6,5	8	10
24	8350GA5040	Throat Plate	0	1
25	8350162400	Feed Link Support	0	1
26	8350GB5040	Feed Dog	0	1
27	83501631T1	Cover Plate	0	2
28	5372166400	Support Plate	0	1
29	ZSB09007	Screw 9/64-40*7,5	0	2

K. HOOK SADDLE MECHANISM COMPONENTS



K. HOOK SADDLE MECHANISM COMPONENTS				
REF.NO	PART NO	NAME OF PART	1130 - serie	2230 - serie
1	71721832T0	Bobbin	1	2
2	83301851T0	Hook Asm.	1	2
3	ZSC09007	Screw 9/64-40*26	1	2
4	8330186400	Hook Shafts (Right)	1	1
5	8330183700	Spring Plate	1	2
6	WA039001	Washer	1	2
7	ZSJ08001	Screw 1/8-40*4	1	2
8	83301860T0	Hook Saddle	1	2
9	5371188200	Coller	1	2
10	ZSA16010	Screw 1/4-40*4,5	2	4
11	8330188100	Bushing	1	2
12	C4025-0A	Spiral Gear	1	2
13	ZSA16041	Screw 1/4-40*4,5	2	4
14	ZSA16040	Screw 1/4-40*7	1	2
15	WA060004	Washer	2	4
16	ZMQ06002	Screw M6x1.0*23	2	4
17	ZSB09016	Screw 9/64-40*6	2	4
18	8330183604	Hook Cover Com.	1	2
19	8330184500	Pin	(1)	(2)
20	8330184400	Hinge	(1)	(2)
21	8330183600	Hook Cover	(1)	(2)
22	ZSB09015	Screw 9/64-40*9	1	2
23	ZSG18002	Hinge Screw	1	2
24	5371186801	Openner	1	2
25	A6015-0A	Openner Bracket	1	2
26	7172183300	Spring	1	2
27	ZSA110011	Screw 11/64-40*4,5	1	2
28	8350187100	Cover	0	1
29	ZSB11015	Screw 11/64-40*8,5	0	1
30	WA059005	Washer	0	1
31	8330183702	Spring	1	2
32	833024690A	Bushing	1	2
33	ZSA11011	Screw 11/64-40*4,5	1	2
34	83301631T0	Cover	1	2
35	ZSC08009	Screw 1/8-44*6,2	2	4
36	8350186400	Hook Shaft (Left)	0	1

L. THREAD TRIMMER COMPONENTS (1/3)



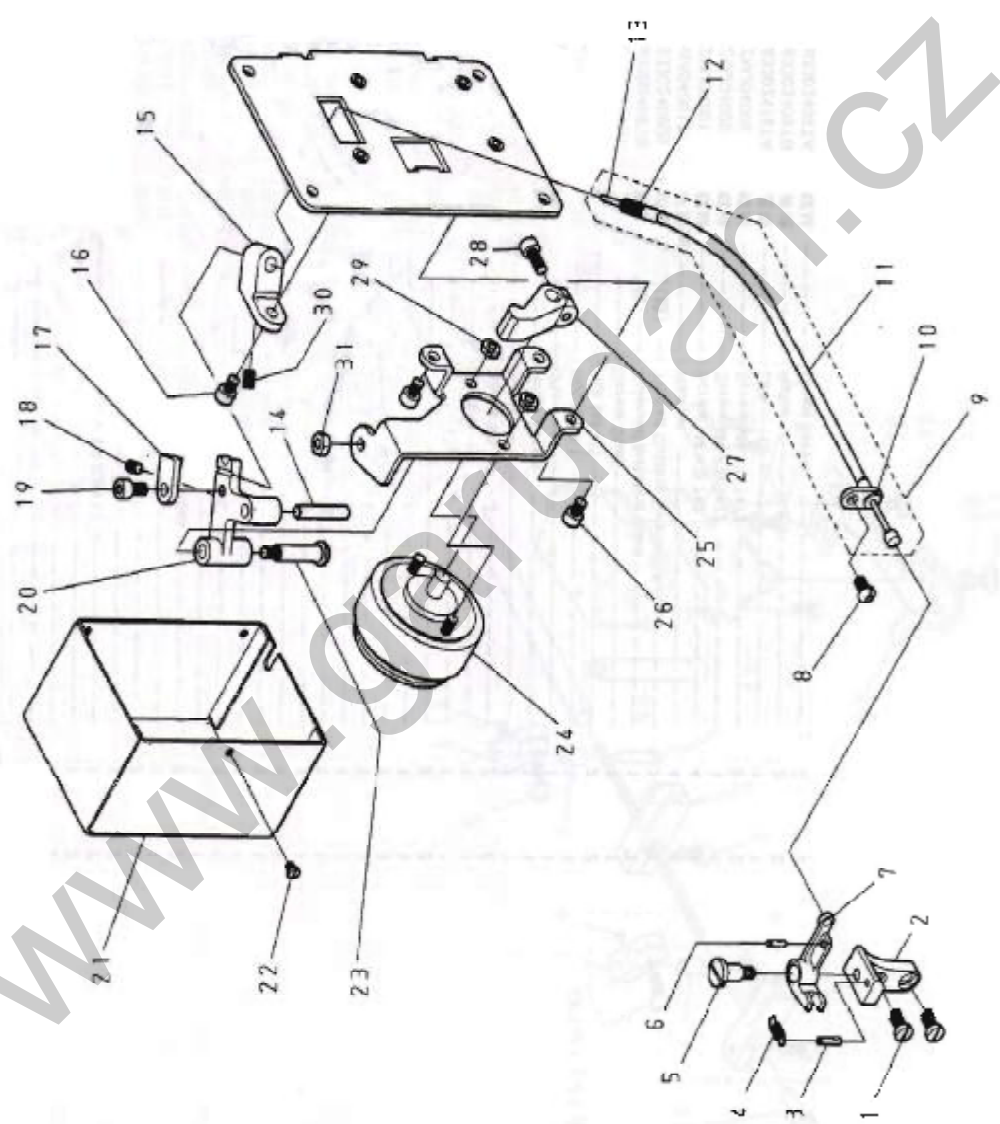
L. THREAD TRIMMER COMPONENTS (1/3)				
REF.NO	PART NO	NAME OF PART	1130 - serie	2230 - serie
1	8330246901	Shafts	1	2
2 #01	833024690B	Spacer	1	2
3 #01	833024691B	Spacer	(1)	(2)
4 #01	833024692B	Spacer	(1)	(2)
5 #01	833024693B	Spacer	(1)	(2)
6 #01	833024694B	Spacer	(1)	(2)
7	8330244201	Knife Base	1	2
8	ZMH05001	Screw M5x0,8*5	2	4
9	8330243000	Movable Knife	1	2
10	83302430A0	Screw M4x0,7*5,3	1	2
11	8330240301	Mounting Base	1	2
12	ZMJ04008	Screw M4x0,7*6	2	4
13	8330240201	Fixed Knife	1	2
14	ZSC06003	Screw 3/32-56*3	2	4
15	8330246801	Spring	1	2
16	ZSC05002	Screw 5/64-64*3,8	1	2
Note #01 Selective Part				

L. THREAD TRIMMER COMPONENTS (2/3)



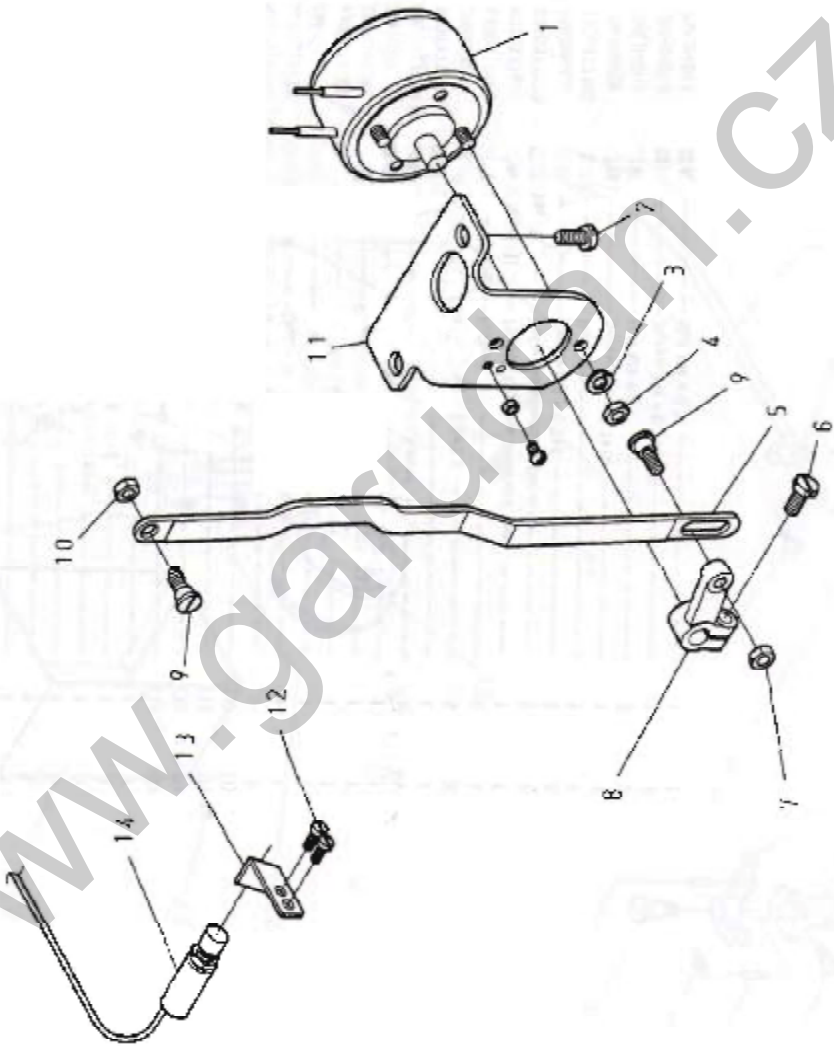
L. THREAD TRIMMER COMPONENTS (2/3)				
REF.NO	PART NO	NAME OF PART	1130 - serie	2230 - serie
1	8330247100	Knife Driving Crank	1	2
2	83302471TB	Roller	1	2
3	83302471TA	Roller Pin	1	2
4	ZMH04001	Screw M4x0,7*4	1	2
5	ZMJ05002	Screw M5x0,8*12	1	2
6	83302427T0	Knife Driving Crank	1	2
7	ZMJ05002	Screw M5x0,8*12	2	4
8	8330242600	Mounting Base	1	1
9	8330242000	Cam Follower Crank	2	2
10	B330247500	Shaft	1	1
11	ZMH04003	Screw M4x0,7*5	1	1
12	EJ4460-2A	Roller	1	1
13	8330247400	Roller Pin	1	1
14	ZMH04003	Screw M4x0,7*5	1	1
15	83302474TA	Roller	1	1
16	RE000040	Retaining Rings-E Type 4	1	1
17	ZMJ04005	Screw M4x0,7*12	1	1
18	ZMJ06003	Screw M6x1.0*14	1	1
19	83302476TE	Mounting Base	1	1
20	ZMJ06003	Screw M6x1.0*14	1	1
21	83302476TD	Pin	2	2
22	83302476T0	T Type Coupling	1	1
23	83302472T0	Shaft	1	1
24	ZMH05002	Screw M5x0,8*6	2	2
25	83302476TB	Roller	1	1
26	83302476TC	Hinge Screw	1	1
27	83302473T0	Pin	1	1
28	ZML06002	Nut M6x1	1	1
29	ZML06002	Nut M6x1	2	2
30	8330247701	Screw Stud	1	1
31	83302409T0	Solenoid Instaling Base	1	1
32	8330240605	Thread Cutting Solenoid Asm.	1	1
33	WA040013	Washer	4	4
34	ZMJ04001	Screw M4x0,7*8	4	4
35	ZMJ04005	Screw M4x0,7*12	1	1
36	ZMJ04005	Screw M4x0,7*12	2	2
37	83302476TA	Link	1	1
38	83302409TB	Roller	2	2
39	83302409TA	Hinge Screw	2	2

L. THREAD TRIMMER COMPONENTS (3/3)



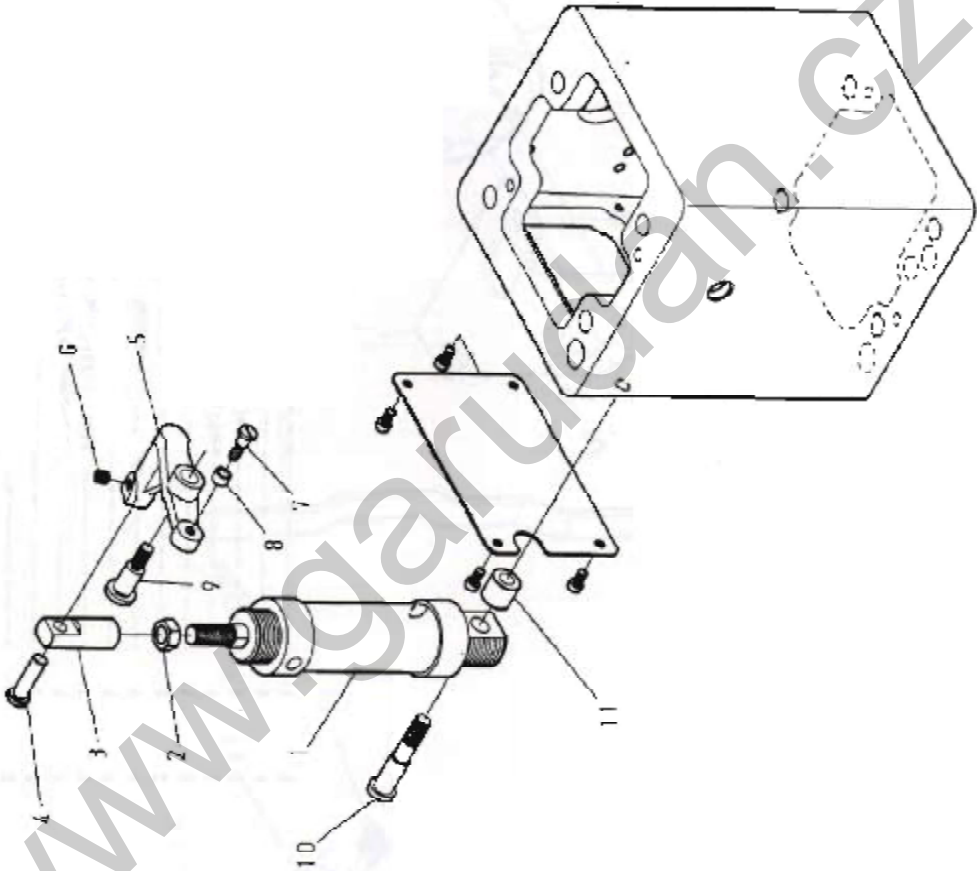
L. THREAD TRIMMER COMPONENTS (3/3)				
REF.NO	PART NO	NAME OF PART	1130 - serie	2230 - serie
1	ZSB11015	Screw 11/64-40*8,5	2	2
2	EJ4426-2A	Thread Releasing Bracket	1	1
3	EJ4427-2A	Pin	1	1
4	EJ4431-2B	Spring	1	1
5	ZSG11052	Hinge Screw	1	1
6	EJ4429-2A	Pin	1	1
7	EJ4428-2A	Thread Releasing Lever	1	1
8	ZSB11024	Screw 11/64-40*8	1	1
9	8330314905	Flexible Wire Asm.	1	1
10	E1732-2A	Mounting Plate	(1)	(1)
11	EJ1731-2A	Flexible Wire	(1)	(1)
12	ZMK05001	Hinge Screw	(1)	(1)
13	EJ1733-2A	Flexible Wire	(1)	(1)
14	8330316500	Shaft	1	1
15	8330316800	Outer Wire Mounting Block	1	1
16	ZMJ04002	Screw M4x0,7*10	1	1
17	8330316300	Wire Mounting Plate	1	1
18	ZMH04013	Screw M4x0,7*6	1	1
19	ZMJ04001	Screw M4x0,7*8	1	1
20	8330317500	Flexible Driving Lever	1	1
21	8330111200	Cover	1	1
22	ZMB03012	Screw M3x0,5*3,3	3	3
23	8330316700	Roller Shaft	1	1
24	8330317600	Thread Cutting Solenoid Asm.	1	1
25	8330317300	Solenoid Mounting Base	1	1
26	ZMJ04008	Screw M4x0,7*6	3	3
27	8330317700	Rod	1	1
28	ZMJ04002	Screw M4x0,7*10	1	1
29	ZML04001	Nut M4x0,7	2	2
30	ZMH04013	Screw M4x0,7*6	1	1
31	ZML04001	Nut M4x0,7	1	1

M. STITCH REGULATOR MECHANISM COMPONENTS



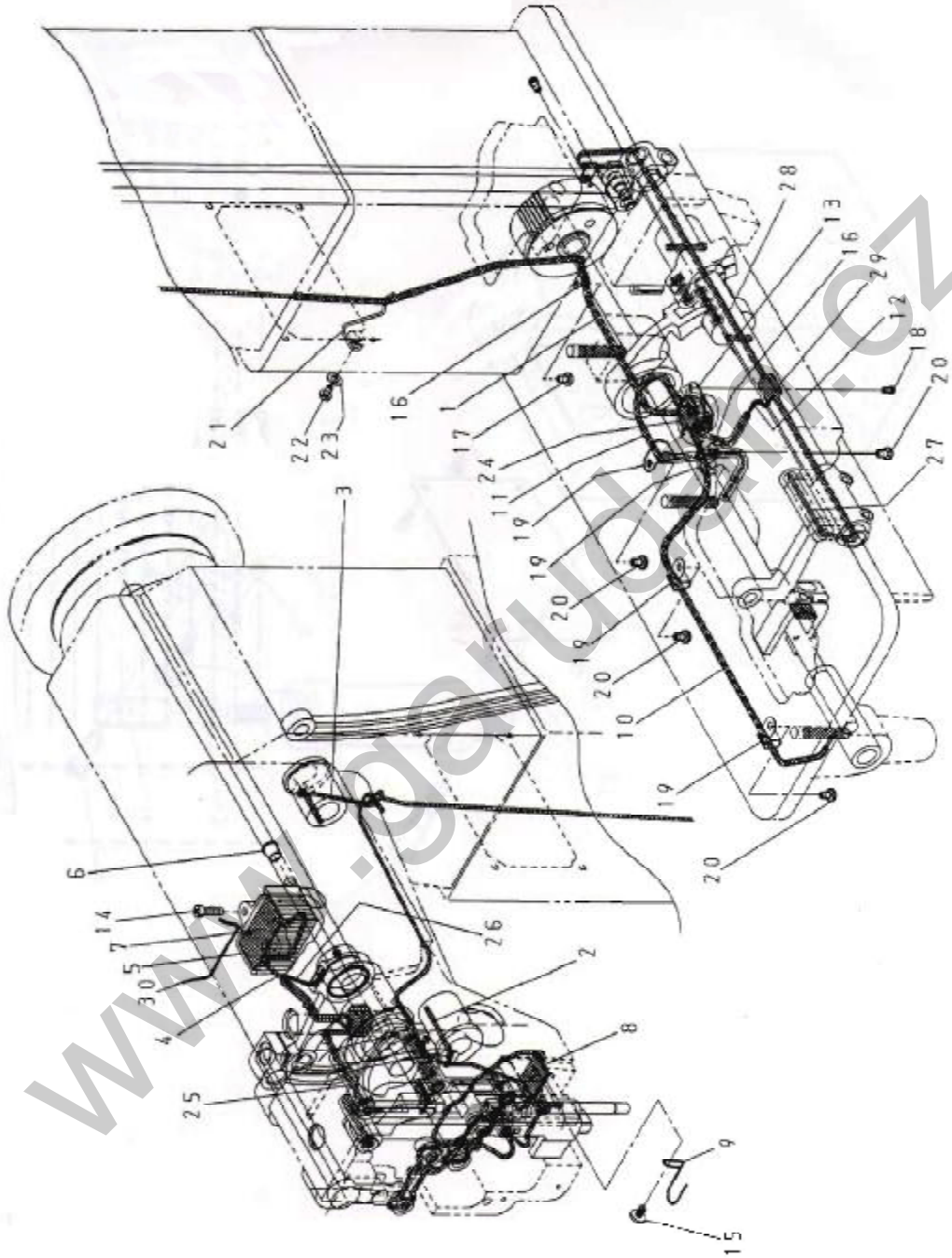
M. STITCH REGURATOR MECHANISM COMPONENTS				
REF.NO	PART NO	NAME OF PART	1130 - serie	2230 - serie
1	EJ8060-2A	Revese Feed Solenoid	1	1
2	ZMD08002	Screw M8x1,25*12	2	2
3	WB060002	Spring Lock Washers	2	2
4	ZML06002	Nut M6x1	2	2
5	8330168200	Feed Connecting Link	1	1
6	ZSD15001	Screw 15/64-28*14	1	1
7	ZSL15004	Nut 15/64-28	1	1
8	EJ4352-2A	Reverse Sewing Crank	1	1
9	ZSG15037	Hinge Screw	2	2
10	ZSL15004	Nut 15/64-28	1	1
11	8330168000	Magnet Fitting Plate	1	1
12	ZMB04016	Screw M4x0,7*10	2	2
13	AB1751-0A	Switch Base	1	1
14	AB8120-0A	Switch Asm.	1	1

N. KNEE LIFTER COMPONENTS



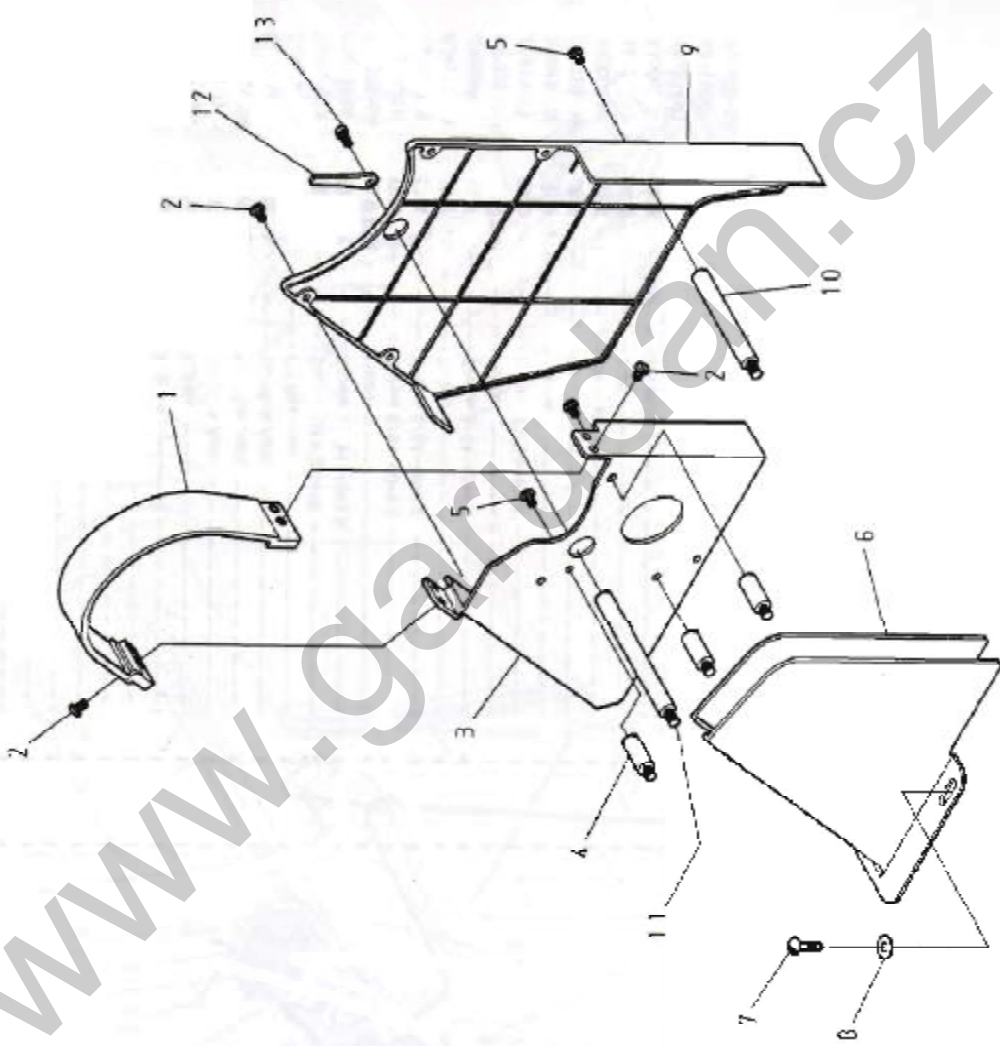
N. KNEE LIFTER COMPONENTS				
REF.NO	PART NO	NAME OF PART	1130 - serie	2230 - serie
1	8330346500	Air Conditioner	1	1
2	ZML10005	Nut M10x1,25	1	1
3	8330346300	Bracket	1	1
4	8330346200	Hinge Pin	1	1
5	83303401T0	Presser Bar Lifting Link	1	1
6	ZMH06006	Screw M6x0,75*6	1	1
7	ZSG12045	Screw 3/16-32*10	1	1
8	EJ1192-2A	Roller	1	1
9	ZSG16019	Hinge Screw	1	1
10	8330341200	Stud	1	1
11	8330346400	Collar	1	1

O. OIL LUBRICATION MECHANISM COMPONENTS



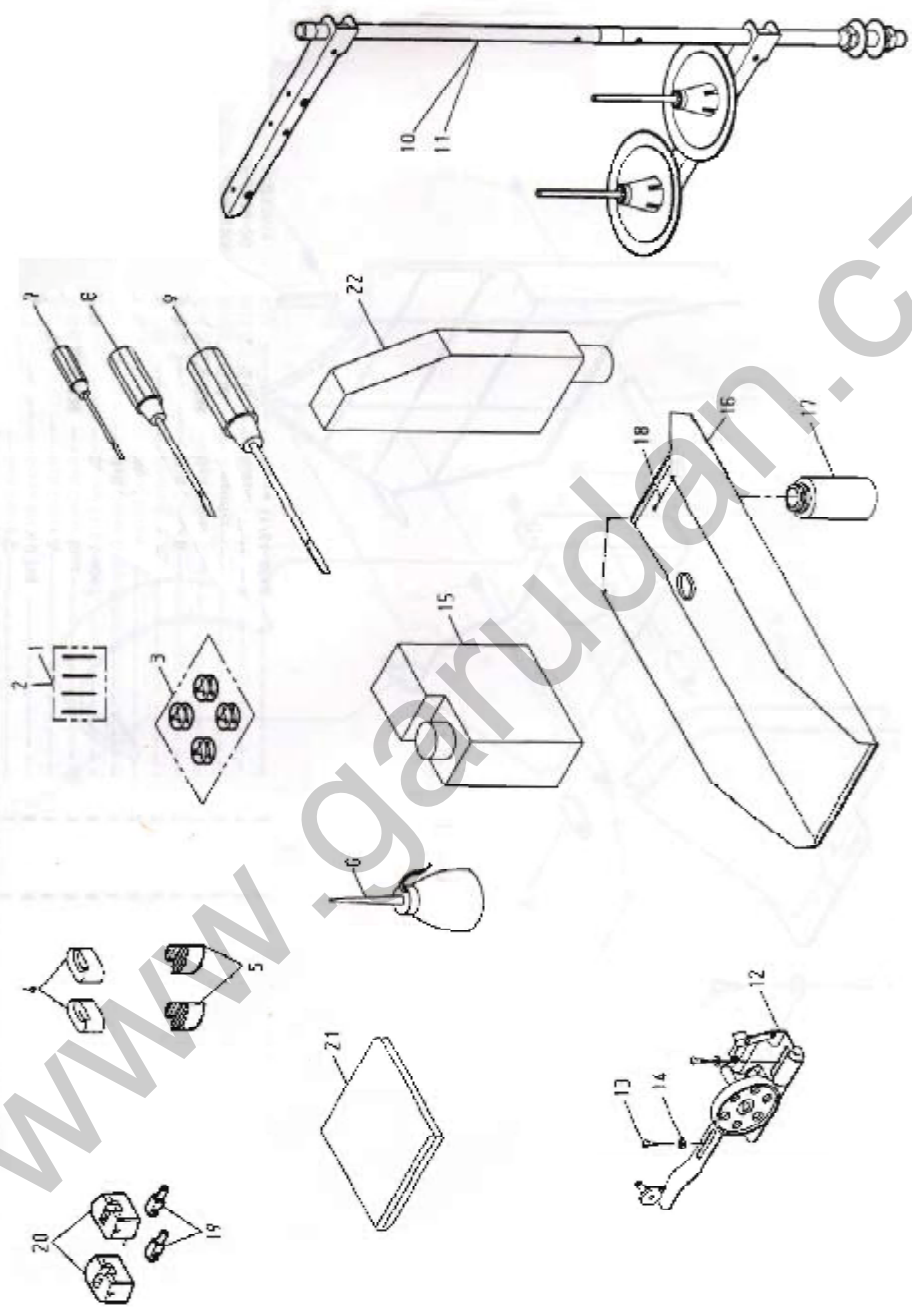
O. OIL LUBRICATION				
REF.NO	PART NO	NAME OF PART	1130 - serie	2230 - serie
1	8330357005	Oil Wick Asm.	1	1
2	XA300045	Oil Wick	1	1
3	XA300140	Oil Wick	1	1
4	XA300160	Oil Wick	1	1
5	EJ1367-0A	Oil Wick Asm.	1	1
6	8370353300	Cap	1	1
7	8370355500	Felt	1	1
8	XB316001	Felt	1	1
9	EJ4175-0A	Holder	1	1
10	8370357105	Oil Wick Asm.	1	1
11	8370357205	Oil Wick Asm.	1	1
12	8370357305	Oil Wick Asm.	1	1
13	EJ6076-0A	Oil Reservoir	1	1
14	ZMB04022	Screw M4x0,7*15	2	2
15	ZSB11016	Screw 11/64-40*6,5	1	1
16	EJ1375-0A	Holder	2	2
17	ZSB09011	Screw 9/64-40*6,5	1	1
18	ZSB09018	Screw 9/64-40*6,5	3	3
19	EJ4171-0A	Holder	4	4
20	ZSB09011	Screw 9/64-40*6,5	4	4
21	8370353000	Holder	1	1
22	ZSB11011	Screw 11/64-40*8	1	1
23	WA049003	Washer	1	1
24	8370355600	Felt	1	1
25	XA300240	Oil Wick	1	1
26	XB206003	Felt	1	1
27	XA300150	Oil Wick	1	1
28	XA300430	Oil Wick	1	1
29	XB110001	Felt	1	1
30	EJ1369-0A	Spring	1	1

P. BELT COVER COMPONENTS









P. BELT COVER COMPONENTS				
REF.NO	PART NO	NAME OF PART	1130 - serie	2230 - serie
1	8330335500	Belt Cover C	1	1
2	ZMB04009	Screw M4x0,7*6	8	8
3	8330335100	Belt Cover A	1	1
4	8330335300	Belt Cover Stud	3	3
5	ZSB11041	Screw 11/64-40*7	4	4
6	8230335801	Belt Cover D	1	1
7	ZMT05003	Wood Screw	2	2
8	WA059003	Washer	2	2
9	8330335200	Belt Cover B	1	1
10	8330335700	Belt Cover Stud	1	1
11	8330912500	Supporter	1	1
12	EJ7099-2C	Support Plate	1	1
13	ZSB11011	Screw 11/64-40*8	1	1

Q. ACCESSORIES



Q. ACCESSORIES				
REF.NO	PART NO	NAME OF PART	1130 - serie	2230 - serie
1	INDPX17-22	Needle DPx17-22	4	0
2	INDPX17-18	Needle DPx17-18	0	4
3	71721832T0	Bobbin	4	4
4	4400911500	Vibration Preventing Rubber	2	2
5	E7026-1B	Head Cushion	2	2
6	A7012-1A	Oiler	1	1
7	A7010-0A	Screw Driver (small)	1	1
8	A7010-1A	Screw Driver (middle)	1	1
9	A7010-2A	Screw Driver (Large)	1	1
10	J7050-0A	Thread Stand	1	0
11	J7050-1A	Thread Stand	0	1
12	A7040-0A	Bobbin Winder	1	1
13	ZMT05003	Wood Screw	2	2
14	WA059003	Washer	2	2
15	A7012-2A	Oil Can	1	1
16	8370912001	Oil Pan	1	1
17	A7012-0A	Oiler	1	1
18	A7011-0A	Nail	12	12
19	4400911700	Head Hinge	2	2
20	J7022-0B	Rubber Hinge	2	2
21	C7001-0A	Cover	1	1
22	J7025-0A	Head Rest	1	1

R. GAUGE PARTS LIST

GAUGE SIZE 	NEEDLE CLAMP  EJ1075-1A	WALKING FOOT  EJ1235-1A	PRESSER FOOT  EJ1237-1A	THROAT PLATE 	FEED DOG 	
					(Medium)	(Heavy)
1/8 (3.2mm)	EJ1075-041A	EJ1235-041A	EJ1237-041A	8350GA5032	8350GB5032	8350GB6032
5/32 (4.0mm)	EJ1075-051A	EJ1235-051A	EJ1237-051A	8350GA5040	8350GB5040	8350GB6040
3/16 (4.8mm)	EJ1075-061A	EJ1235-061A	EJ1237-061A	8350GA5048	8350GB5048	8350GB6048
1/4 (6.4mm)	EJ1075-081A	EJ1235-081A	EJ1237-081A	8350GA5064	8350GB5064	8350GB6064
5/16 (8.0mm)	EJ1075-101A	EJ1235-101A	EJ1237-101A	8350GA5080	8350GB5080	8350GB6080
3/8 (9.5mm)	EJ1075-121A	EJ1235-121A	EJ1237-121A	8350GA5095	8350GB5095	8350GB6095
1/2 (12.7mm)	EJ1075-161A	EJ1235-161A	EJ1237-161A	8350GA5127	8350GB5127	8350GB6127

www.garudan.cz